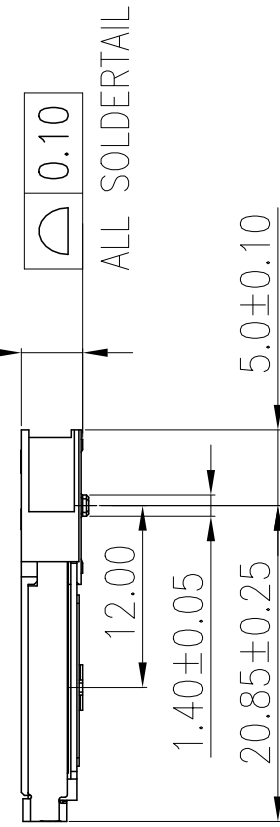
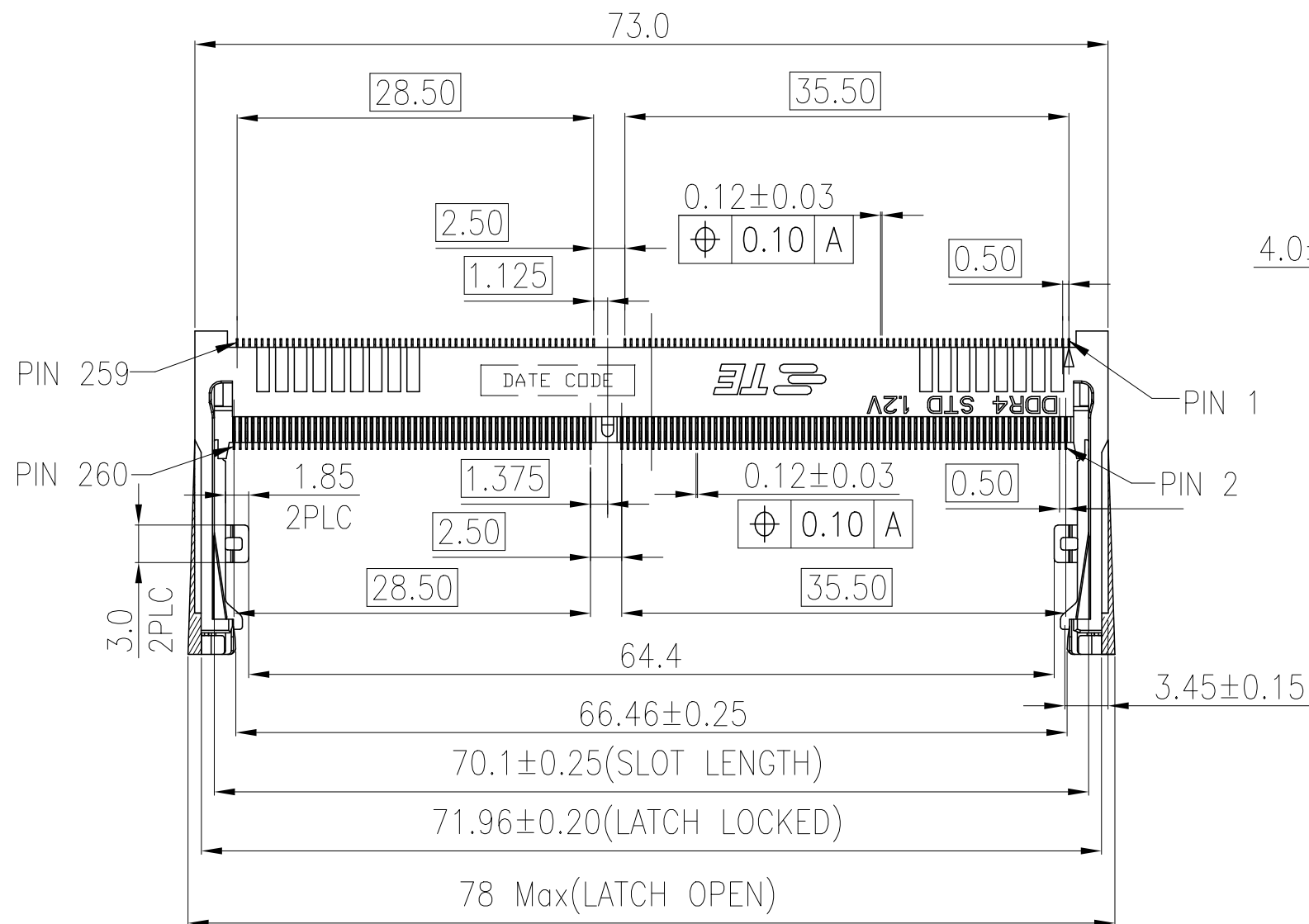
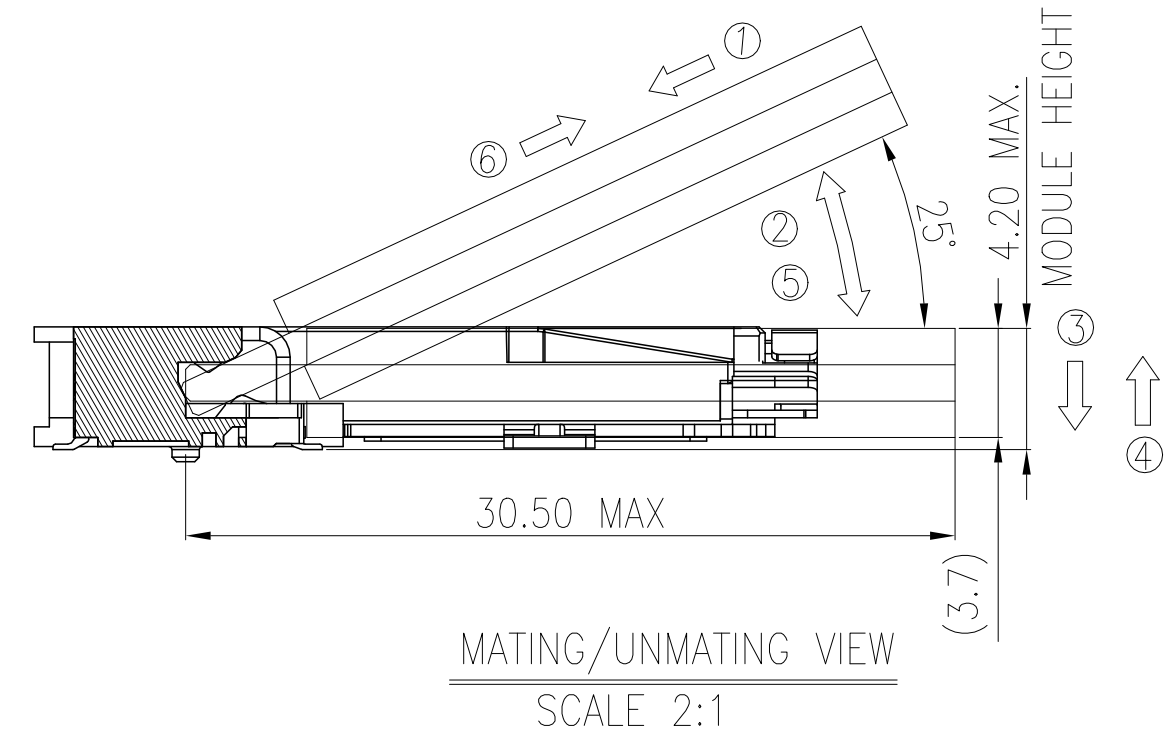
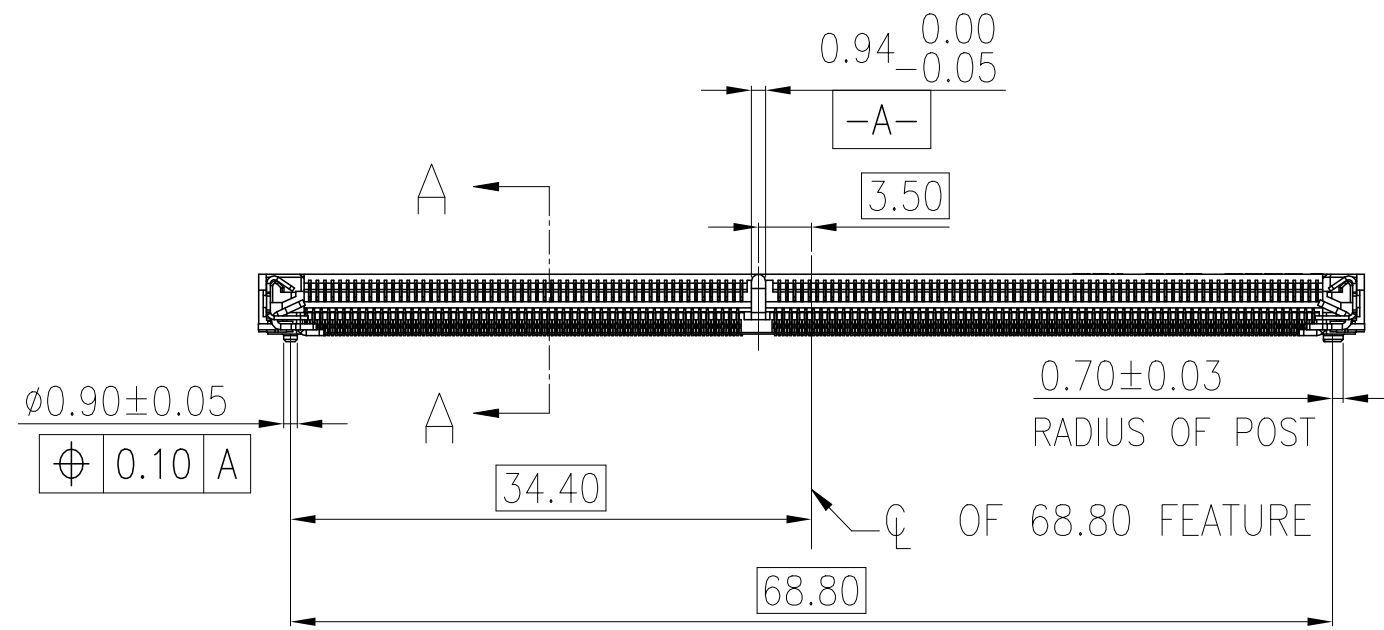


REVISIONS					
P	LTR	DESCRIPTION	DATE	DWN	APVD
4		GAP DIM CHANGE TO 0.74+/-0.08 FROM 0.80	16NOV2020	SS	DZ

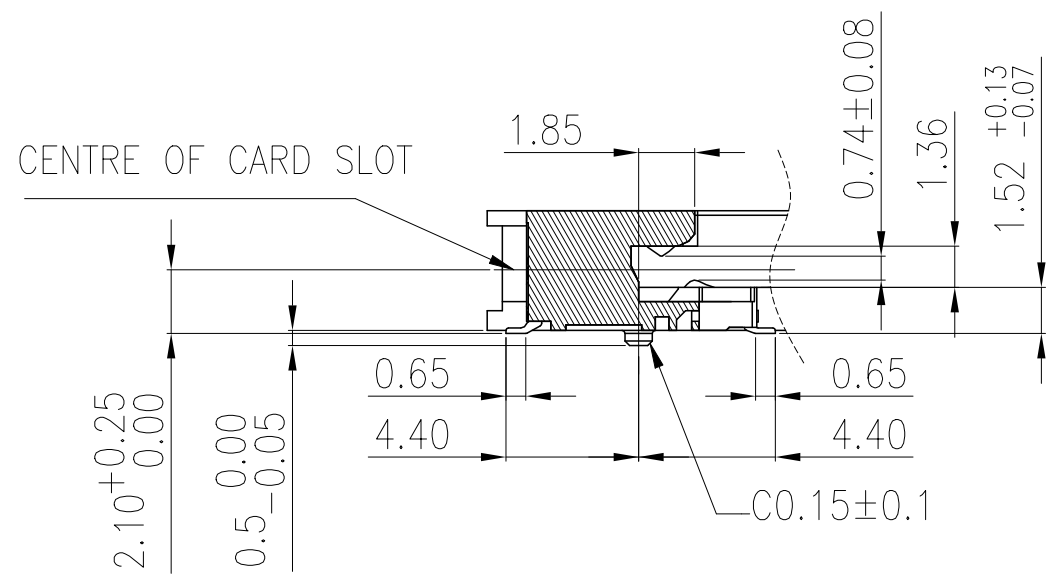


NOTES:

- MATERIAL:
 - HOUSING: HIGH TEMPERATURE THERMO PLASTIC, UL94V-0, COLOR: BLACK.
 - CONTACT: COPPER ALLOY.
 - SOLDER PEG AND LATCH: STAINLESS STEEL.
- FINISH:
 - SOLDER PEG: GOLD FLASH ON 50u" MIN NICKEL UNDERPLATED ALL OVER.
 - CONTACT SOLDER AREA: GOLD FLASH ON SOLDER TAIL.
 - CONTACT AREA: GOLD FLASH ON 50u" MIN NICKEL UNDERPLATED ALL OVER.
 - CONTACT AREA: 5u" ON 50u" MIN NICKEL UNDERPLATED ALL OVER.
 - CONTACT AREA: 10u" ON 50u" MIN NICKEL UNDERPLATED ALL OVER.
 - CONTACT AREA: 15u" ON 50u" MIN NICKEL UNDERPLATED ALL OVER.
 - CONTACT AREA: 30u" ON 50u" MIN NICKEL UNDERPLATED ALL OVER.
- COPLANARITY: 0.10 MAX. (BEFORE SOLDERING)



MATING: ① INSERTING(25°) → ② ROTATING → ③ FIXED
 UNMATING: ④ UNFIXED → ⑤ ROTATING → ⑥ WITHDRAWING

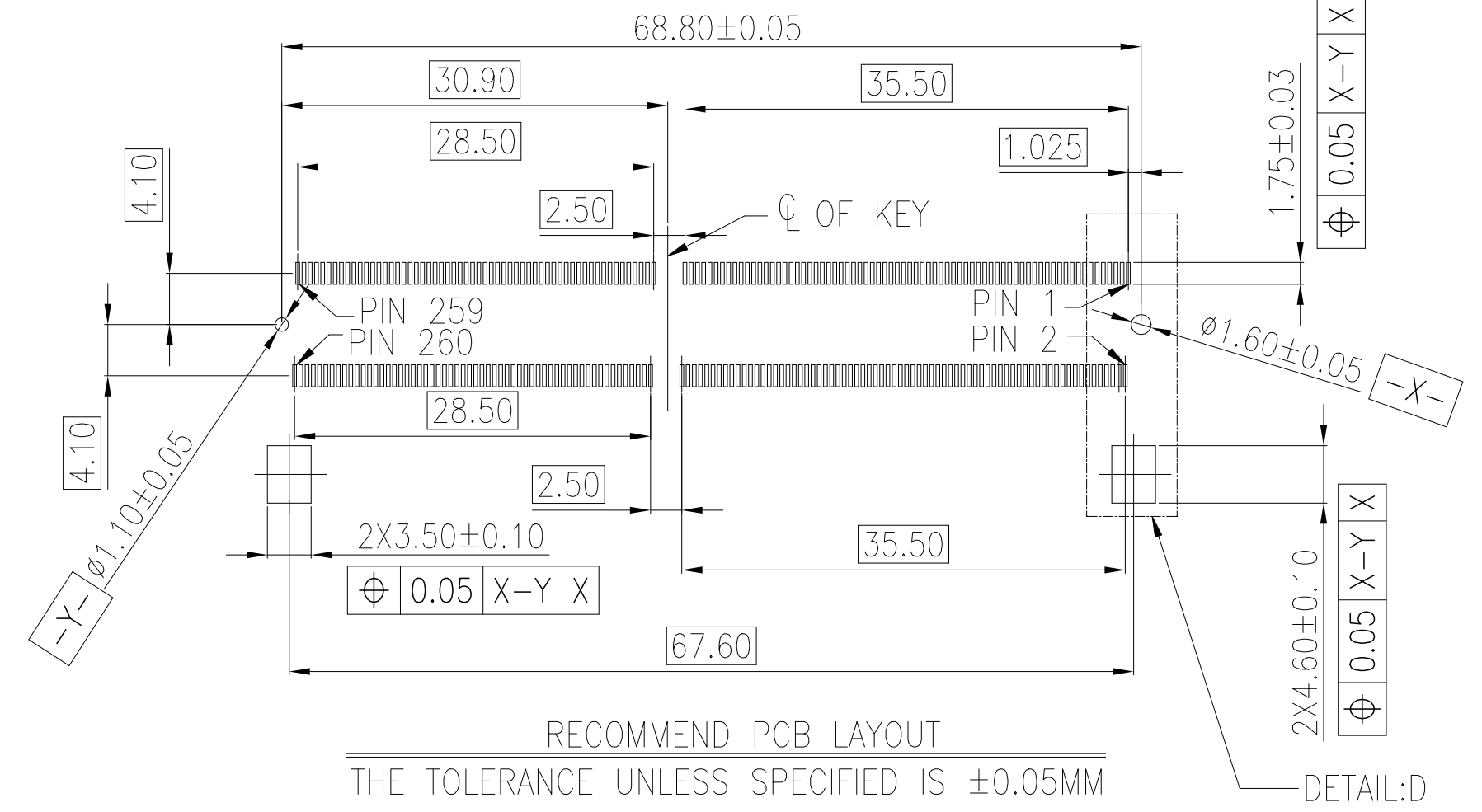
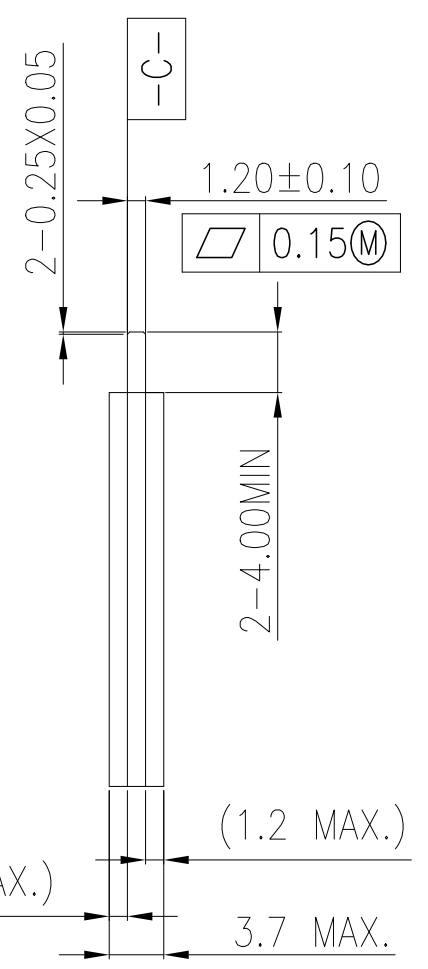
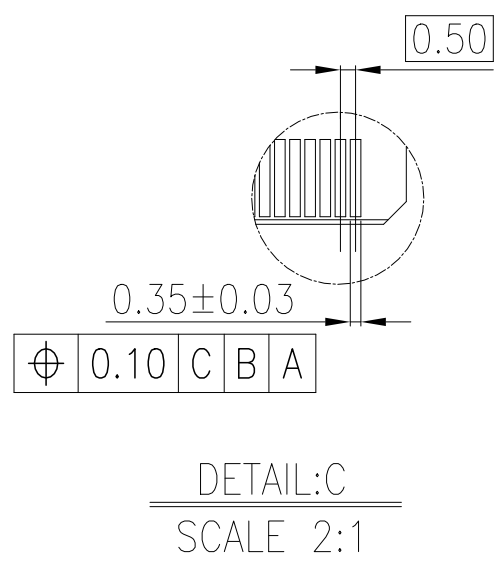
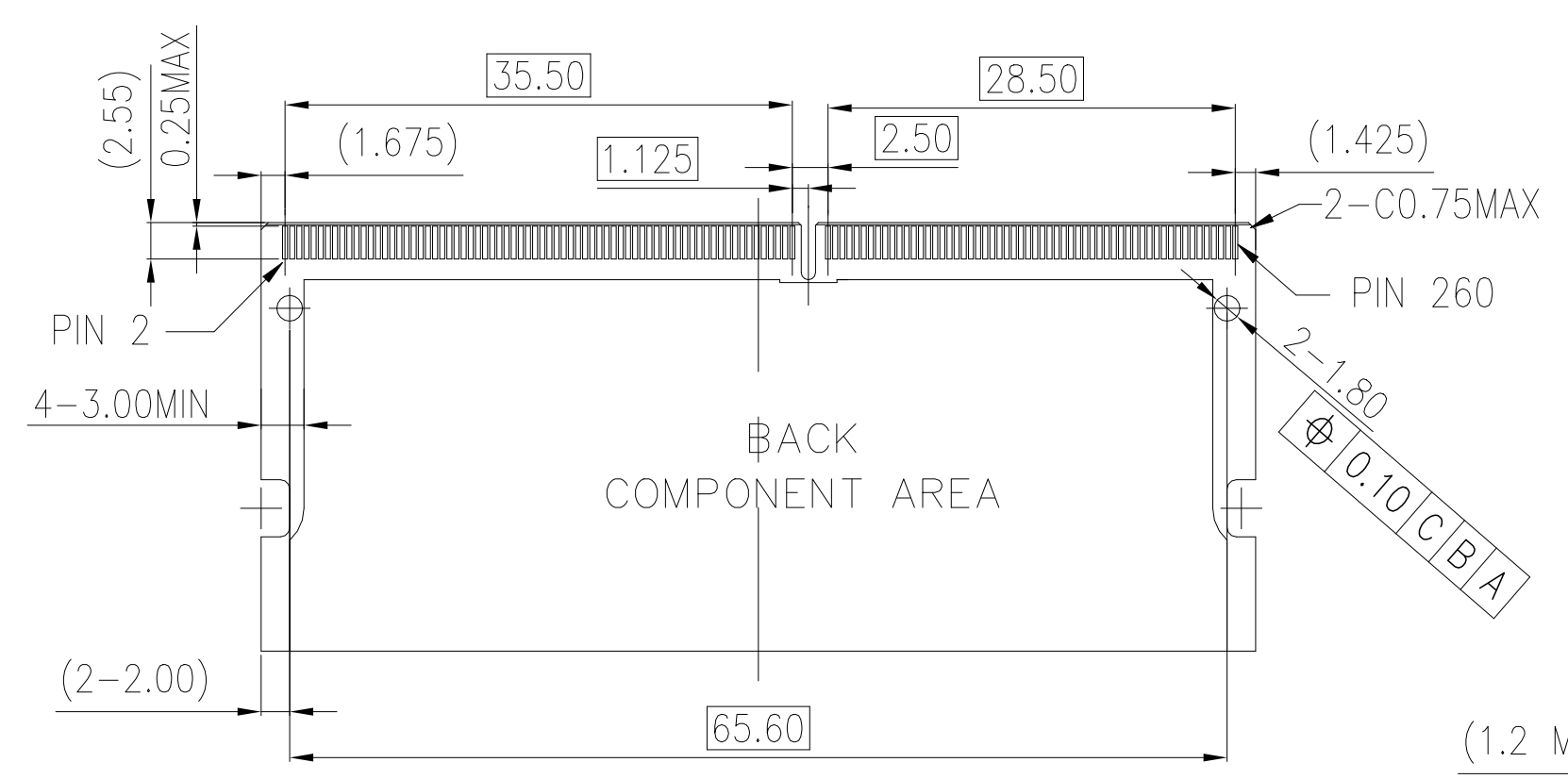
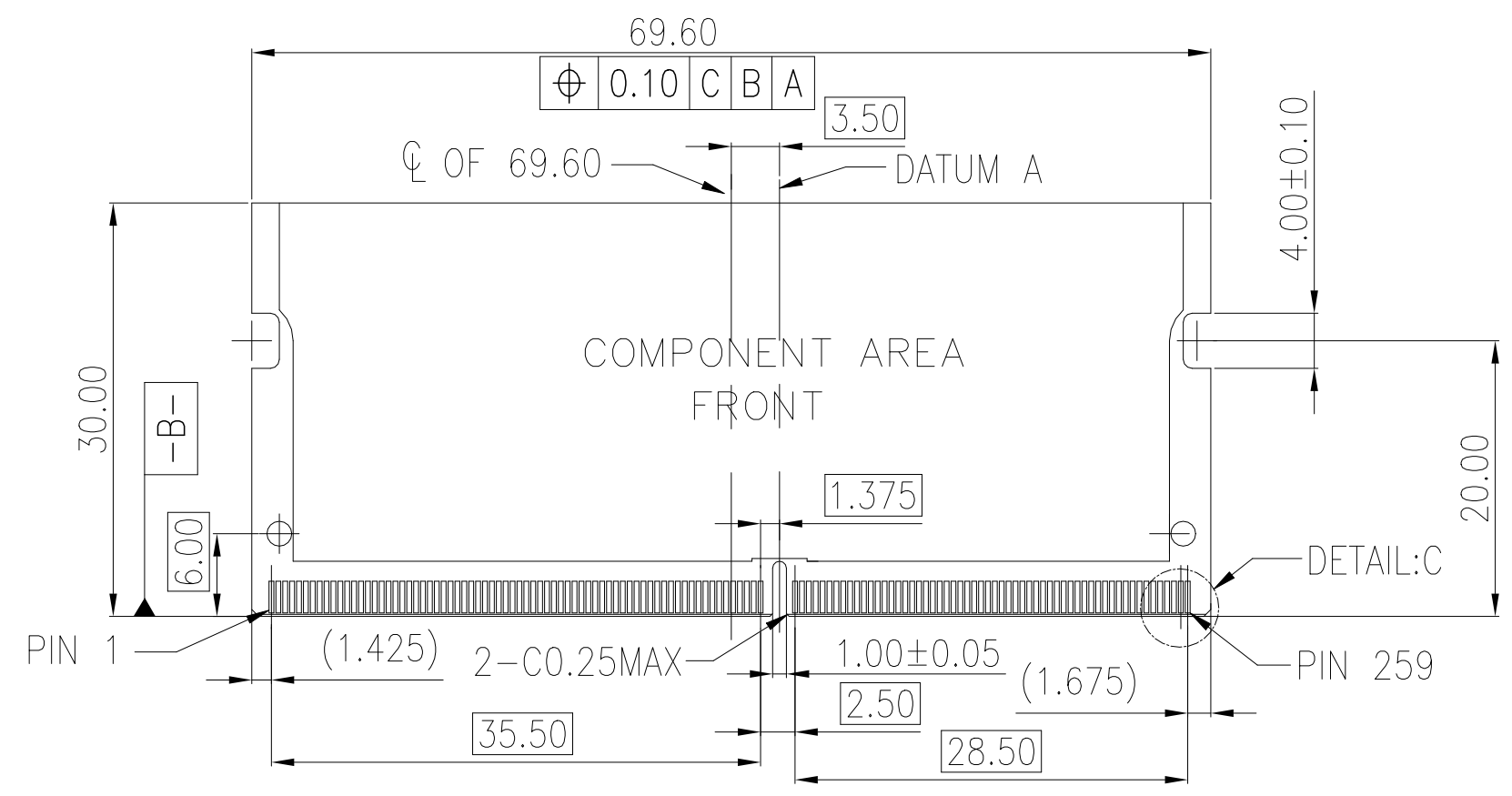


SECTION:A-A
SCALE 2:1

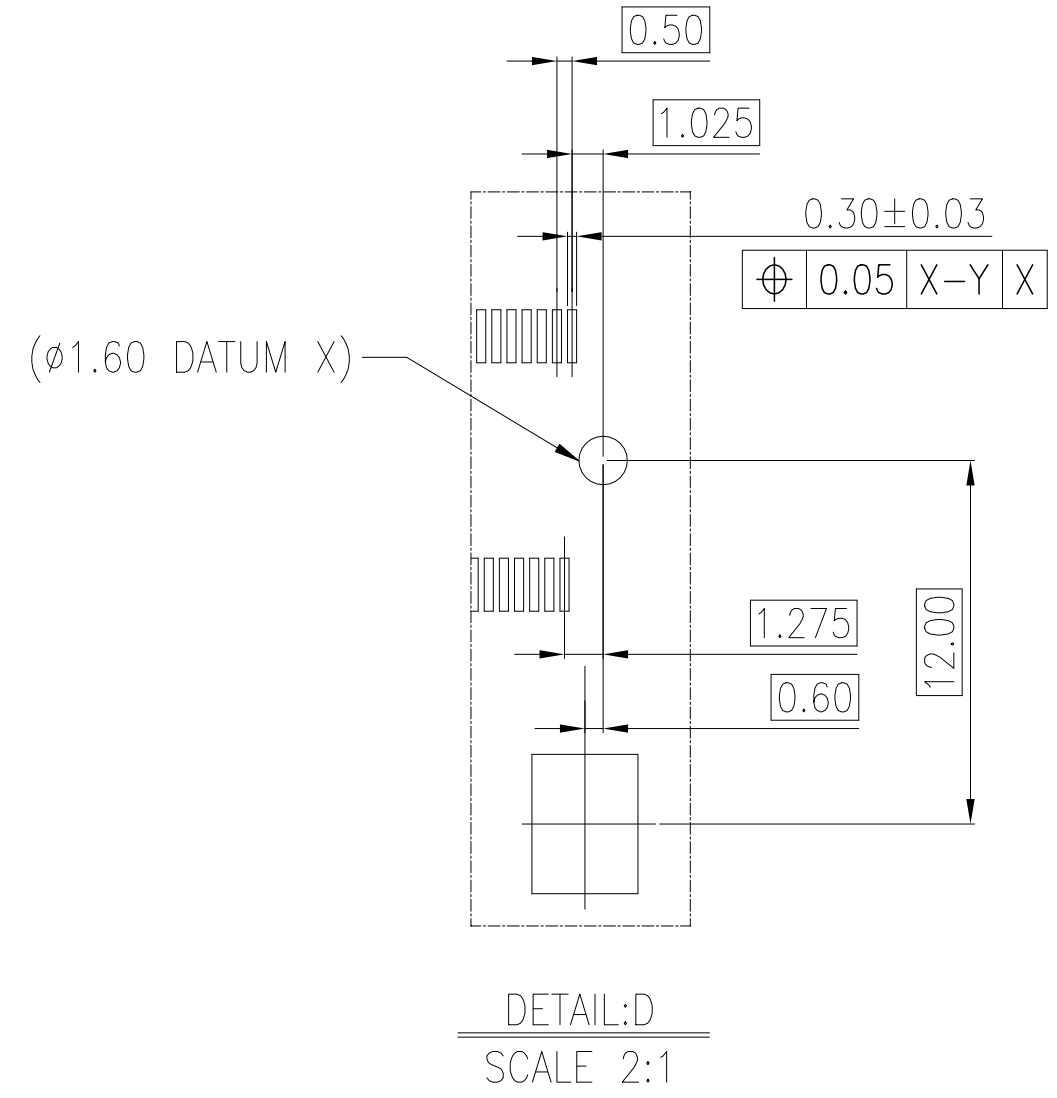
TAPE&REEL	BLACK	1.2V	30u"	260	2309407-5
TAPE&REEL	BLACK	1.2V	15u"	260	2309407-4
TAPE&REEL	BLACK	1.2V	10u"	260	2309407-3
TAPE&REEL	BLACK	1.2V	5u"	260	2309407-2
TAPE&REEL	BLACK	1.2V	GF	260	2309407-1
PACKING TYPE	HOUSING COLOR	POWER SUPPLY	FINISH	POS	PART NO.

THIS DRAWING IS A CONTROLLED DOCUMENT.		DWN DAVID ZHAO 09SEP2016			
DIMENSIONS: mm		CHK RICHARD MA 09SEP2016			
TOLERANCES UNLESS OTHERWISE SPECIFIED:		APVD SIMON LI 05SEP2016	NAME		
0 PLC ± -		PRODUCT SPEC		DDR4 SODIMM SOCKET	
1 PLC ± 0.25		APPLICATION SPEC		0.5mm PITCH 260POS	
2 PLC ± 0.15		108-115122		4.0mm HEIGHT STANDARD TYPE	
3 PLC ± 0.10		WEIGHT		SIZE	RESTRICTED TO
4 PLC ± -		3.1g		A2	
ANGLES ± -		CUSTOMER DRAWING		CAGE CODE	DRAWING NO
FINISH		SCALE 1:1		00779	2309407
		SHEET		1 of 3	REV 4

REVISIONS					
P	LTR	DESCRIPTION	DATE	OWN	APVD
-	-		-	-	-



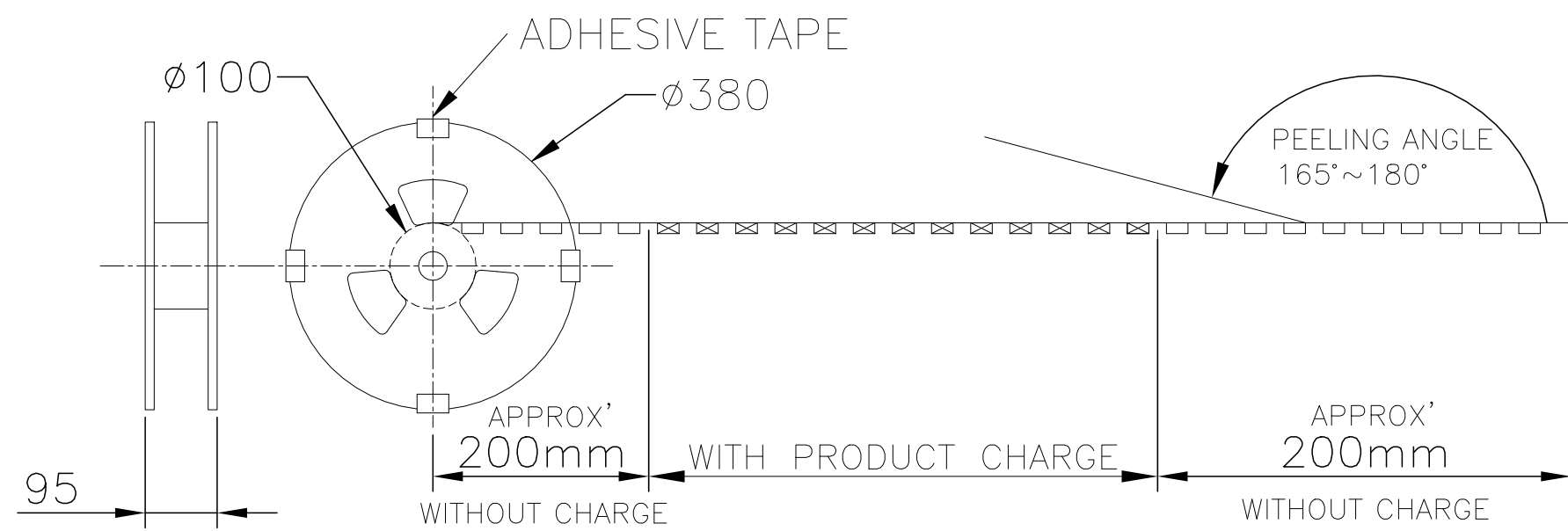
RECOMMEND PCB LAYOUT
 THE TOLERANCE UNLESS SPECIFIED IS ±0.05MM



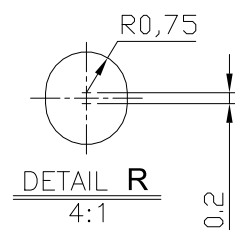
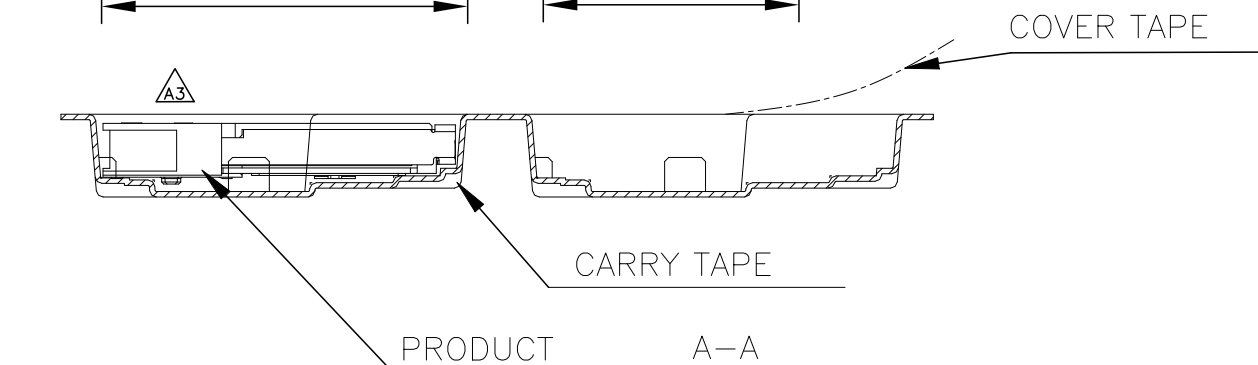
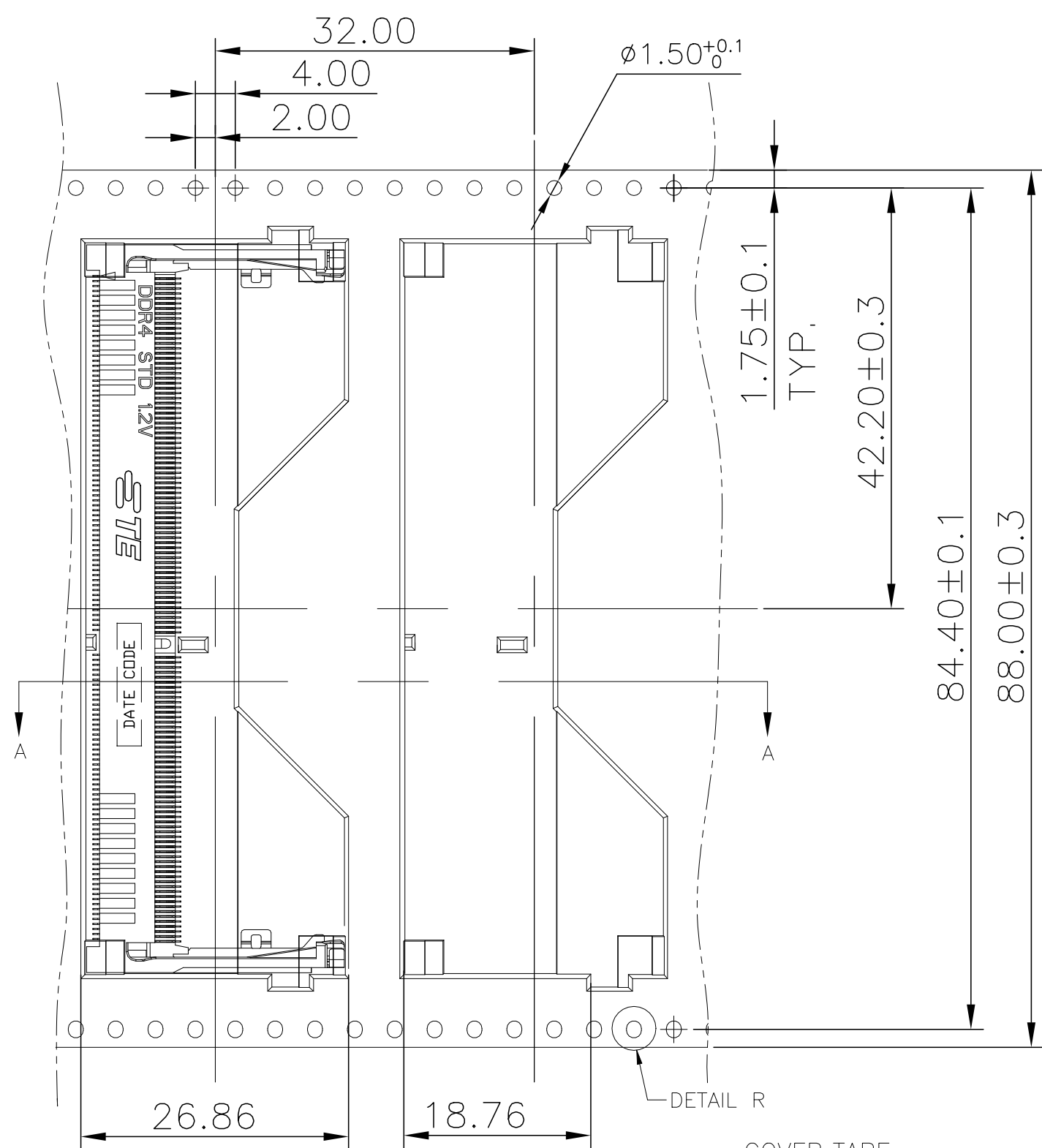
THIS DRAWING IS A CONTROLLED DOCUMENT.		OWN DAVID ZHAO 09SEP2016		TE Connectivity		
DIMENSIONS: mm		CHK RICHARD MA 09SEP2016		NAME		
TOLERANCES UNLESS OTHERWISE SPECIFIED:		APVD SIMON LI 09SEP2016		DDR4 SODIMM SOCKET		
0 PLC ±		PRODUCT SPEC		0.5mm PITCH 260POS		
1 PLC ±		APPLICATION SPEC	4.0mm HEIGHT STANDARD TYPE			
2 PLC ±		WEIGHT	SIZE A2	CAGE CODE 00779	DRAWING NO. C=2309407	RESTRICTED TO
3 PLC ±			CUSTOMER DRAWING			
4 PLC ±			SCALE 1:1	SHEET 2 OF 3	REV 4	
ANGLES ±						
FINISH ±						

THIS DRAWING IS UNPUBLISHED. RELEASED FOR PUBLICATION
 © COPYRIGHT 2016 By TE connectivity ALL RIGHTS RESERVED.

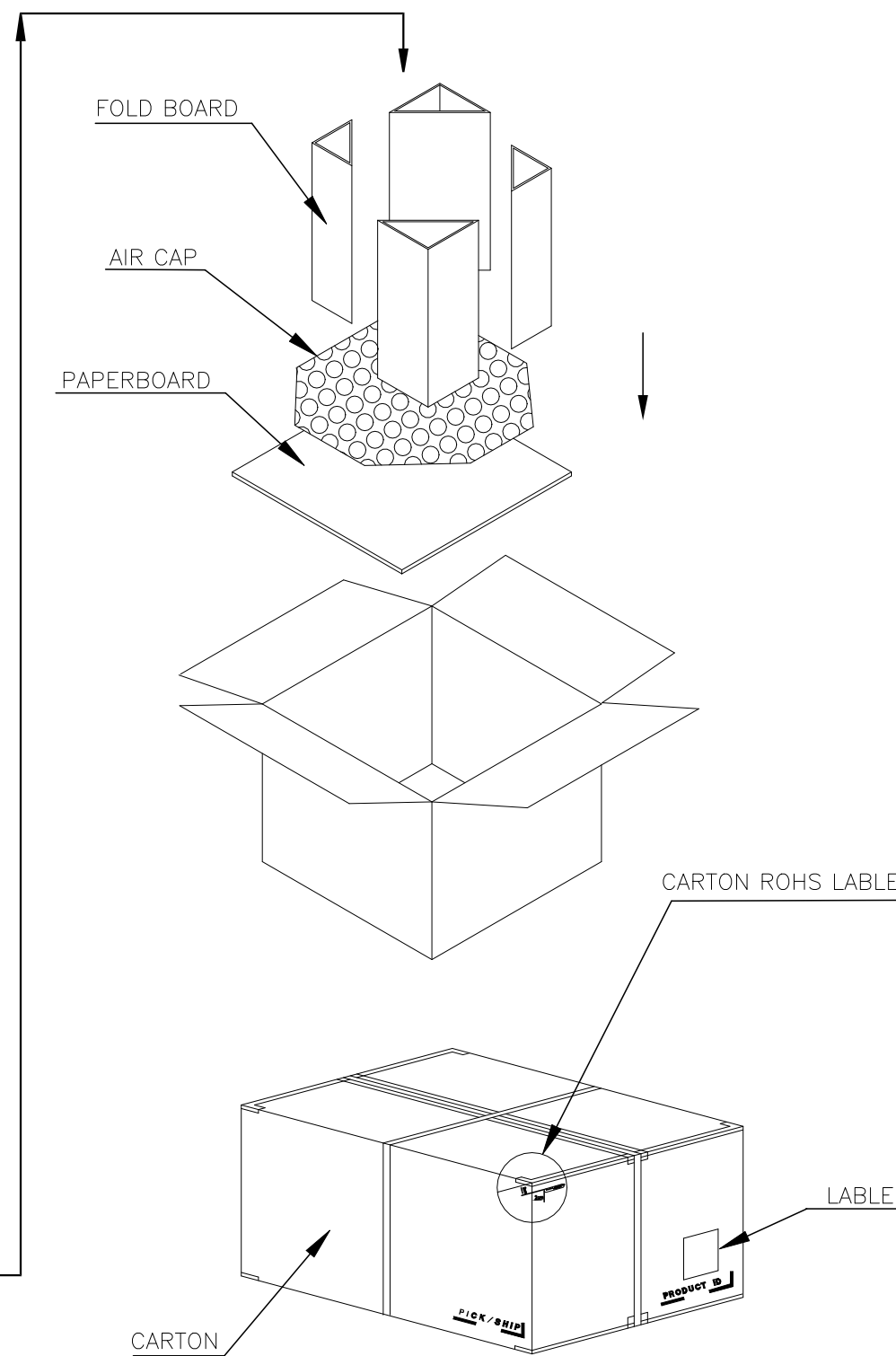
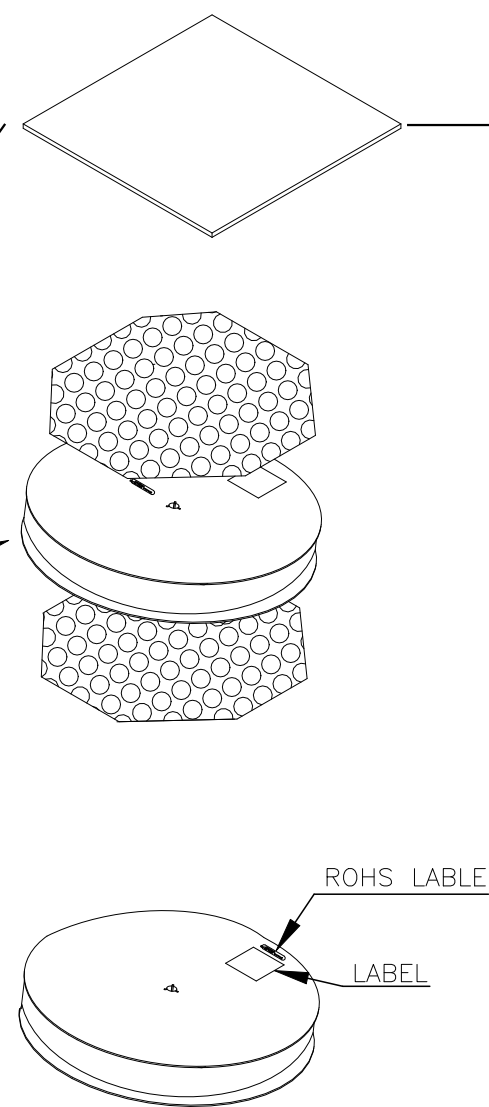
REVISIONS					
P	LTR	DESCRIPTION	DATE	DWN	APVD
-	-		-	-	-



PULL OUT DIRECTION →



REEL
TOTAL
2LAYERS



450	2	900	*-2309407-*
PCS/ REEL	REEL/ CARTON	PCS/ CARTON	PART NUMBER

THIS DRAWING IS A CONTROLLED DOCUMENT.		DWN DAVID ZHAO 09SEP2016	
DIMENSIONS: mm		CHK RICHARD MA 09SEP2016	
TOLERANCES UNLESS OTHERWISE SPECIFIED:		APVD SIMON LI 05SEP2016	NAME
0 PLC ±	1 PLC ±	PRODUCT SPEC	DDR4 SODIMM SOCKET
2 PLC ±	3 PLC ±	APPLICATION SPEC	0.5mm PITCH 260POS
4 PLC ±	ANGLES ±	WEIGHT	4.0mm HEIGHT STANDARD TYPE
MATERIAL	FINISH	CUSTOMER DRAWING	SIZE CAGE CODE DRAWING NO RESTRICTED TO
			A2 00779 C-2309407
		SCALE - SHEET 3 of 3 REV 4	

Mouser Electronics

Authorized Distributor

Click to View Pricing, Inventory, Delivery & Lifecycle Information:

[TE Connectivity:](#)

[2309407-5](#)