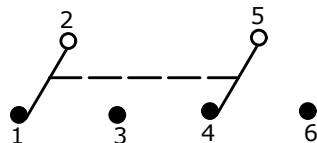
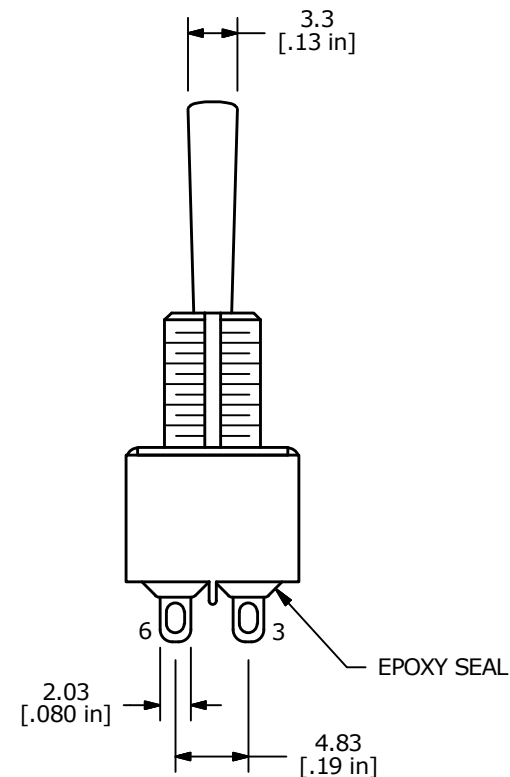
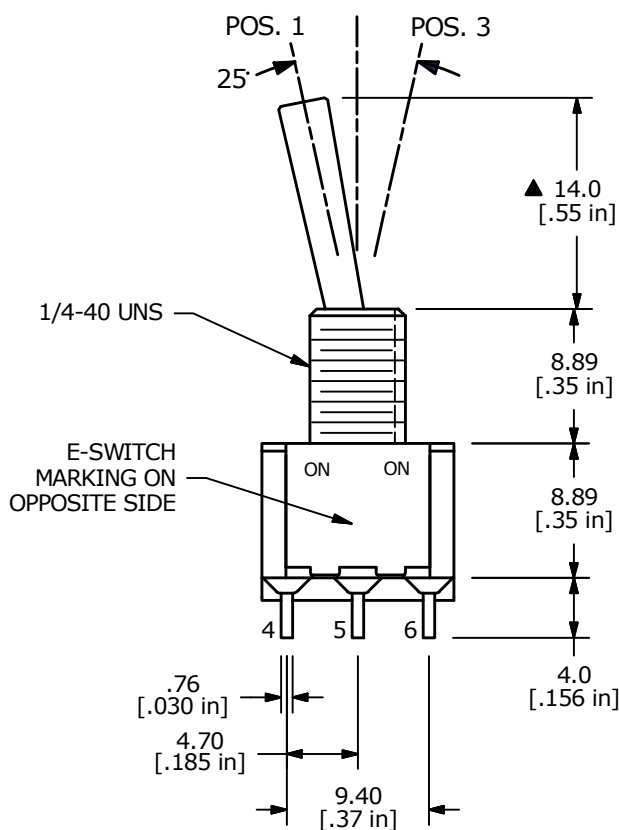
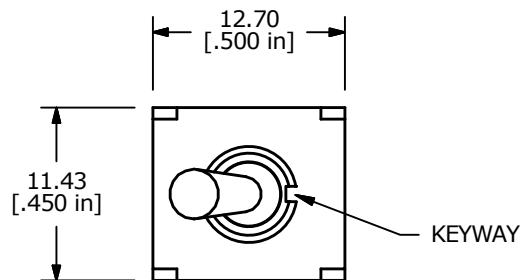


SWITCH FUNCTION		
POS. 1	POS. 2	POS. 3
ON	NONE	ON
2-3, 5-6	N/A	2-1, 5-4



CIRCUIT: DPDT

- NOTE:
1. ALL DIMENSIONS IN MM [INCH]
 2. GENERAL TOLERANCE: X.X = ±0.4
X.XX = ±0.25
 3. TERMINAL NUMBERS FOR REF ONLY
 - ▲ 4. CONTACT MATERIAL: SILVER
 5. RATING: 5A @ 120 VAC OR 28VDC
2A @ 250 VAC
 6. ELECTRIC LIFE: 40,000 make-and-break cycles at full load.
 7. INSULATION RESISTANCE: 1,000 Mega-ohm min.
 8. DIELECTRIC STRENGTH: 1,000 V RMS @ SEA LEVEL
 9. OPERATING TEMP.: -30°C to 85°C
 10. ▲ DENOTES CRITICAL PARAMETER
 11. HARDWARE TO BE SHIPPED BULK:
T100011 - LOCK WASHER (Qty 1)
T100015 - LOCK RING (Qty 1)
T100000 - HEX NUT (Qty 2)



TITLE 100DP1T3B1M1QEH				
SCALE 2:1	DATE 1/25/2019	DR MW	DWG ST121150	REV A

Mouser Electronics

Authorized Distributor

Click to View Pricing, Inventory, Delivery & Lifecycle Information:

[E-Switch:](#)

[100DP1T3B1M1QEH](#)