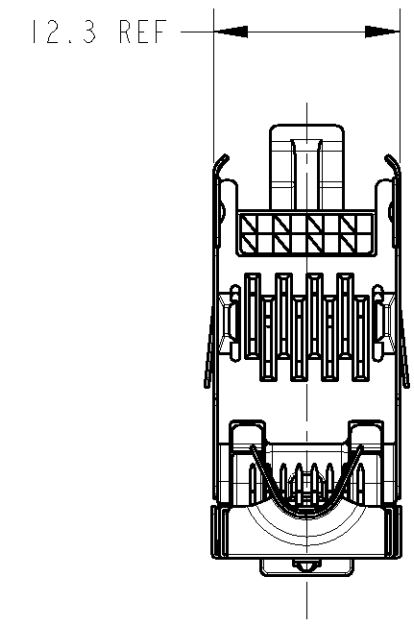
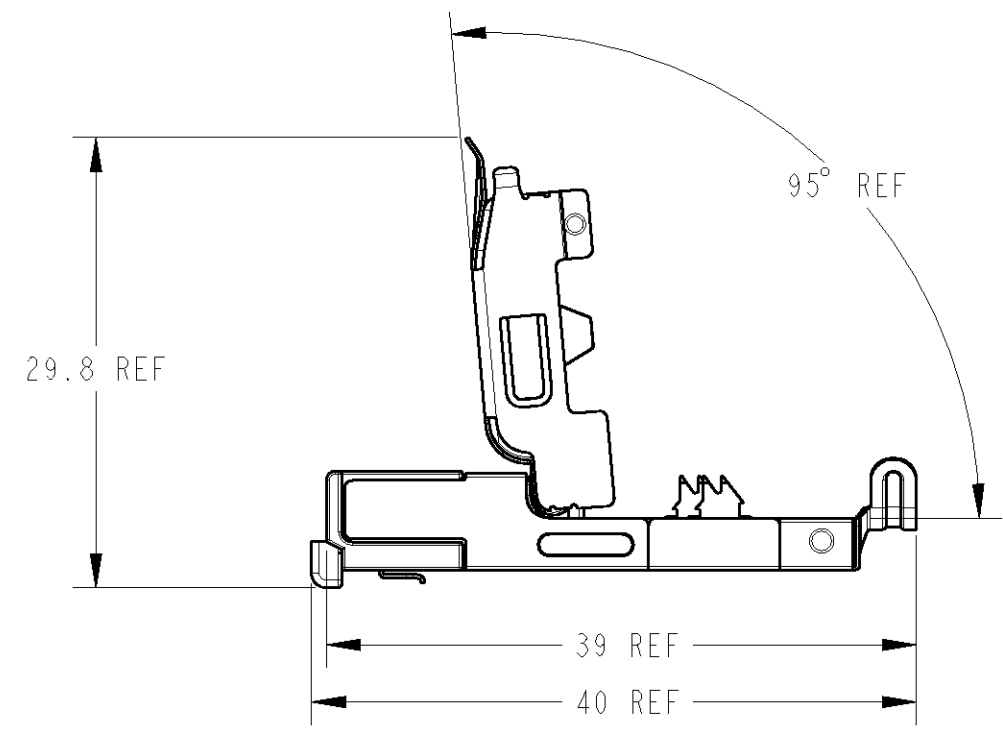
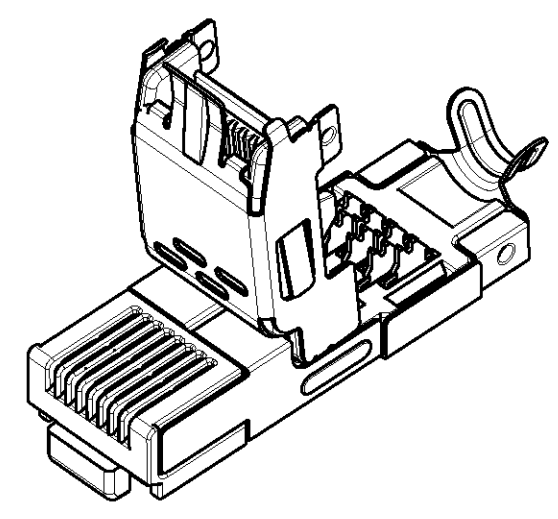


THIS DRAWING IS UNPUBLISHED. RELEASED FOR PUBLICATION 20
 © COPYRIGHT 20 BY TYCO ELECTRONICS CORPORATION. ALL RIGHTS RESERVED.

LOC	DIST	REVISIONS					
		P	LTR	DESCRIPTION	DATE	DWN	APVD
J	-	A		RELEASED	16APR2008	J.A	A.O



1. MATERIAL : HOUSING-THERMOPLASTIC.
 CONTACT-COPPER ALLOY.
 SHELL-COPPER ALLOY.
 2. FINISH : CONTACT-UNDERPLATE: Ni
 CONTACT AREA: Au
 SHELL: Ni

<small>THIS DRAWING IS A CONTROLLED DOCUMENT FOR TYCO ELECTRONICS CORPORATION IT IS SUBJECT TO CHANGE AND THE CONTROLLING ENGINEERING ORGANIZATION SHOULD BE CONTACTED FOR THE LATEST REVISION.</small>		DWN J.AKASAKA 16APR2008 CHK A.OOISHI 16APR2008 APVD A.OOISHI 16APR2008		Tyco Electronics Corporation Kawasaki, Japan	
DIMENSIONS: 单位: 毫 mm	TOLERANCES UNLESS OTHERWISE SPECIFIED: 一般公差 ± - 0-PLC ± - 1-PLC ± - 2-PLC ± - 3-PLC ± - 4-PLC ± - ANGLES ± ±	PRODUCT SPEC 製品規格 108-78381		NAME 名称 CORE 8P ASSY INDUSTRIAL ETHERNET	
	MATERIAL 材料 -	FINISH 仕上 -	APPLICATION SPEC 取付適用規格 114-5402	WEIGHT -	SIZE A3 CAGE CODE 00779 DRAWING NO 番号 C-1871295
CUSTOMER DRAWING			SCALE 尺度 2:1	SHEET 1 OF 1	RESTRICTED TO - REV A

Mouser Electronics

Authorized Distributor

Click to View Pricing, Inventory, Delivery & Lifecycle Information:

[TE Connectivity:](#)

[1871295-1](#)