

1217516-1 ✓ ACTIVE



## MAG-MATE

TE Internal #: 1217516-1

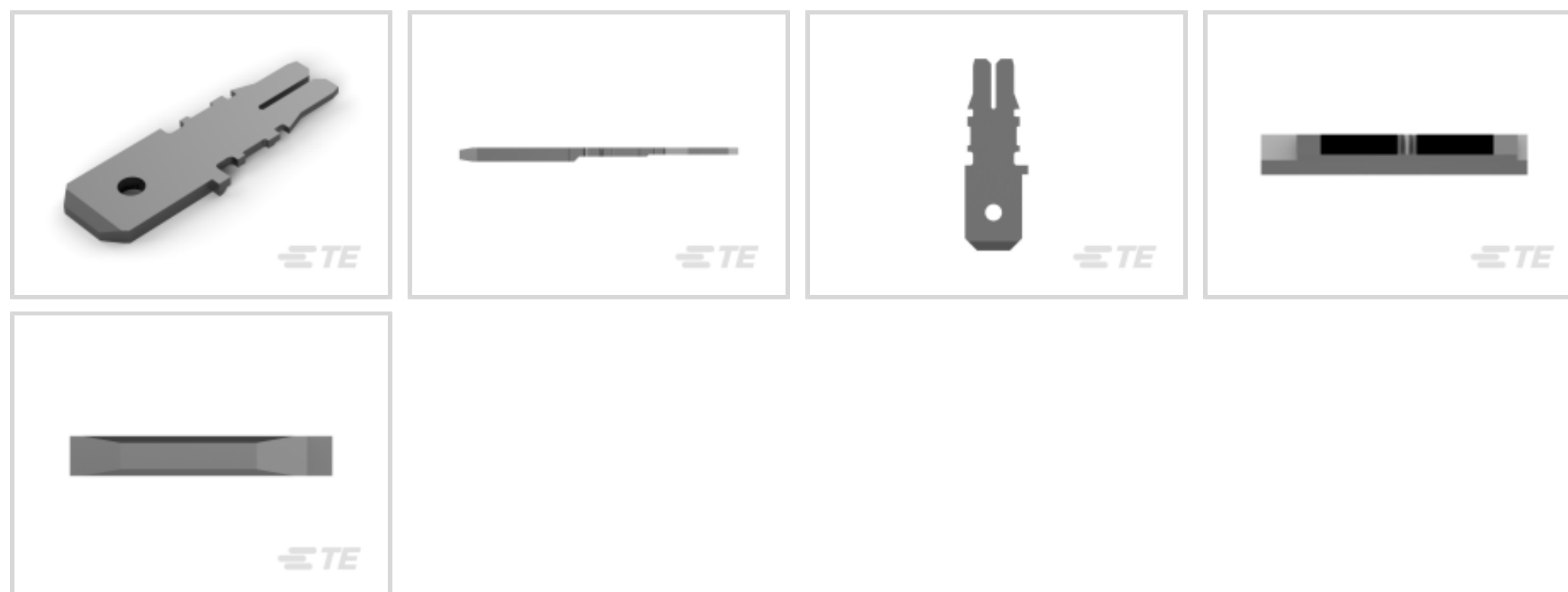
Tab, Mating Tab Width 4.75 mm [.187 in], Size 1, .57 – .81 mm

Magnet Wire, 23 – 20 AWG Magnet Wire, MAG-MATE, Magnet

Wire Terminals

[View on TE.com >](#)

Terminals & Splices > Magnet Wire Terminals



Magnet Wire Terminal Type: **Tab**

Mating Tab Width: **4.75 mm [.187 in]**

Mating Tab Thickness: **.81 mm [.032 in]**

Compatible With Cavity Size: **Size 1**

Magnet Wire Size: **23 – 20 AWG**

### Features

#### Product Type Features

Compatible With Discrete Wire Type

Magnet Wire, Solid

#### Body Features

Compatible With Cavity Size

Size 1

#### Contact Features

Magnet Wire Terminal Type

Tab

Mating Tab Width

4.75 mm [.187 in]

Mating Tab Thickness

.81 mm [.032 in]

Terminal Plating Material

Tin

Terminal Orientation

Straight

#### Termination Features

Termination Method to Wire & Cable

Insulation Displacement (IDC)

#### Mechanical Attachment

Mating Retention Type

Hole



### Dimensions

Terminal Height	16 mm [.63 in]
Magnet Wire Size	.57 – .81 mm
Stock Thickness (Magnet Wire Side)	.41 mm [.016 in]
Product Length	16 mm [.63 in]

### Usage Conditions

Insulation Option	Uninsulated
Operating Temperature Range	-65 – 150 °C [-85 – 302 °F]

### Operation/Application

Compatible With Wire Base Material	Copper
------------------------------------	--------

### Packaging Features

Packaging Method	Reel, Reel/Carton
------------------	-------------------

### Product Compliance




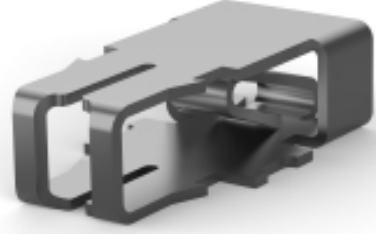
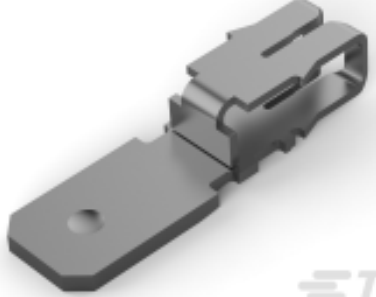
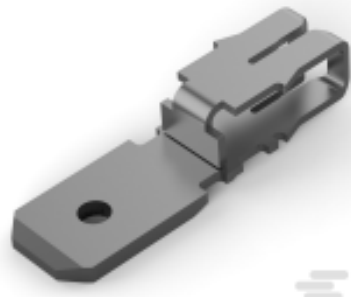
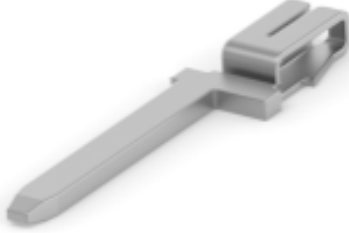
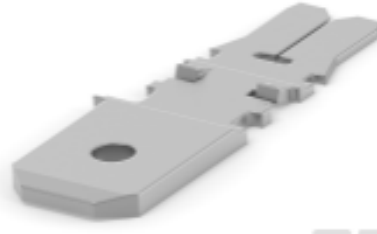
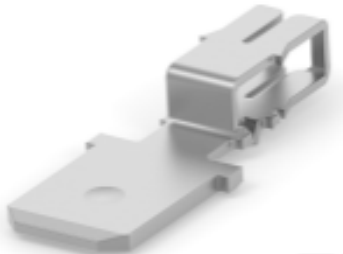


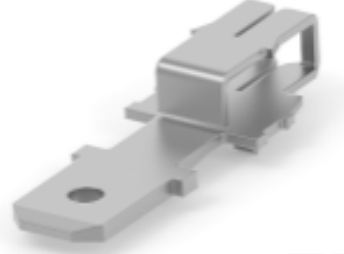
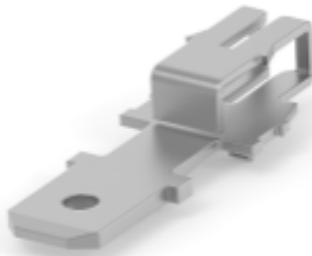

[For compliance documentation, visit the product page on TE.com>](#)

EU RoHS Directive 2011/65/EU	Compliant
EU ELV Directive 2000/53/EC	Compliant
China RoHS 2 Directive MIIT Order No 32, 2016	No Restricted Materials Above Threshold
EU REACH Regulation (EC) No. 1907/2006	Current ECHA Candidate List: JUNE 2024 (241) Candidate List Declared Against: JUNE 2024 (241) Does not contain REACH SVHC
Halogen Content	Low Halogen - Br, Cl, F, I < 900 ppm per homogenous material. Also BFR/CFR/PVC Free
Solder Process Capability	Not applicable for solder process capability

#### Product Compliance Disclaimer

This information is provided based on reasonable inquiry of our suppliers and represents our current actual knowledge based on the information they provided. This information is subject to change. The part numbers that TE has identified as EU RoHS compliant have a maximum concentration of 0.1% by weight in homogenous materials for lead, hexavalent chromium, mercury, PBB, PBDE, DBP, BBP, DEHP, DIBP, and 0.01% for cadmium, or qualify for an exemption to these limits as defined in the Annexes of Directive 2011/65/EU (RoHS2). Finished electrical and electronic equipment products will be CE marked as required by Directive 2011/65/EU. Components may not be CE marked. Additionally, the part numbers that TE has identified as EU ELV compliant have a maximum concentration of 0.1% by weight in homogenous materials for lead, hexavalent chromium, and mercury, and 0.01% for cadmium, or qualify for an exemption to these limits as defined in the Annexes of Directive 2000/53/EC (ELV). Regarding the REACH Regulation, the information TE provides on SVHC in articles for this part number is based on the latest European Chemicals Agency (ECHA) 'Guidance on requirements for substances in articles' posted at this URL: <https://echa.europa.eu/guidance-documents/guidance-on-reach>

## Compatible Parts

 <p>TE Part # 1742474-1 TAB,.187 FASTON,MAG-MATE</p>	 <p>TE Part # 1742858-1 TAB, PLAIN, 187 MAG-MATE SLIM</p>	 <p>TE Part # 2232781-1 TAB, 187 FASTON, MAG-MATE SLIM</p>	 <p>TE Part # 964110-1 MAG-MATE KONTAKT</p>
 <p>TE Part # 1217065-1 MAG-MATE 22-20 187 FTAB TPBR</p>	 <p>TE Part # 1217128-1 TAB,187FAST 300SERIES MAG-MATE</p>	 <p>TE Part # 1217460-1 TAB, MAG-MATE 059 X 032,LH 187</p>	 <p>TE Part # 1217666-1 TAB,187 FASTON,MAG-MATE SLM LN</p>
 <p>TE Part # 1217870-1 TAB,250 FASTON,MAG-MATE</p>	 <p>TE Part # 1217886-1 TAB,059 SERIES,LH,MAG MATE</p>	 <p>TE Part # 1217887-1 TAB,059 SERIES,RH,MAG MATE</p>	 <p>TE Part # 1217993-1 TAB,187X032 FASTON,MAG-MATE</p>
 <p>TE Part # 1217994-1 TAB,187X032 FASTON,MAG-MATE</p>	 <p>TE Part # 63719-2 TAB,250 MAG-MATE SLIM LN 23-20</p>		

Also in the Series | **MAG-MATE**



Insertion & Extraction Tools(6)



Magnet Wire Terminals(337)



PCB Terminals(1)

## Customers Also Bought



TE Part #1375820-4  
CST-100 II HOUSING 4 POS



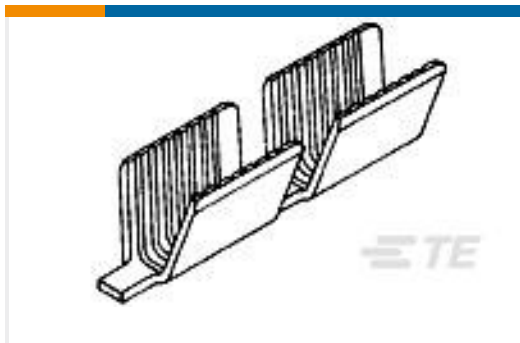
TE Part #2-520128-2  
ULTRA-FAST 250 ASY REC 22-18 AWG TPBR



TE Part #63486-1  
MAG-MATE 110 FAST TAB 020 TPBR



TE Part #63854-2  
250 PL MKIII REC. 18-14AWG TPBR



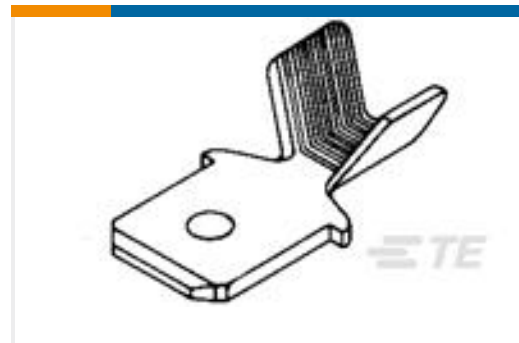
TE Part #62040-1  
SPLC AMVAR 1500-5000 020TPBR



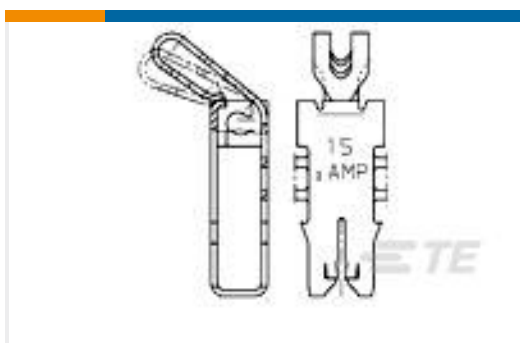
TE Part #63640-1  
RING 18-14 AWG TPCRSTL



TE Part #3-1601021-2  
TAB, 187X020, STD SIAMEZE



TE Part #62922-1  
250 FAST TAB AMVAR 032TPBR



TE Part #969125-1  
MAG-MATE KONT M.FED



TE Part #62214-2  
BRSH CONT AMPLIVAR 22-17 PHBZ

## Documents

### Product Drawings

TAB, 187 FASTON, MAG-MATE SLIM

English

### CAD Files

3D PDF

3D

Customer View Model

ENG\_CVM\_CVM\_1217516-1\_F\_c-1217516-1-f.2d\_dxf.zip



English

**Customer View Model**

[ENG\\_CVM\\_CVM\\_1217516-1\\_F\\_c-1217516-1-f.3d\\_igs.zip](#)

English

**Customer View Model**

[ENG\\_CVM\\_CVM\\_1217516-1\\_F\\_c-1217516-1-f.3d\\_stp.zip](#)

English

By downloading the CAD file I accept and agree to the [Terms and Conditions](#) of use.

---

**Datasheets & Catalog Pages**

[Magnet Wire Terminals & Splices](#)

English

---

**Product Specifications**

[Application Specification](#)

English