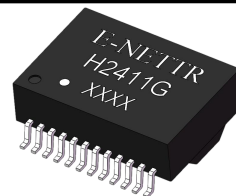




E-NETTR 10/100/1000 BASE-T Transformer Module

P/N: H2411G

- * Designed to meet IEEE802.3af requirement
- * Lead-Free & Designed to meet RoHS requirement
- * Designed to meet IR 255°C peak Requirement.
- * Primary inductance 350μH min. with 8mA DC Bias
- * Operating temperature range: 0°C to +70°C



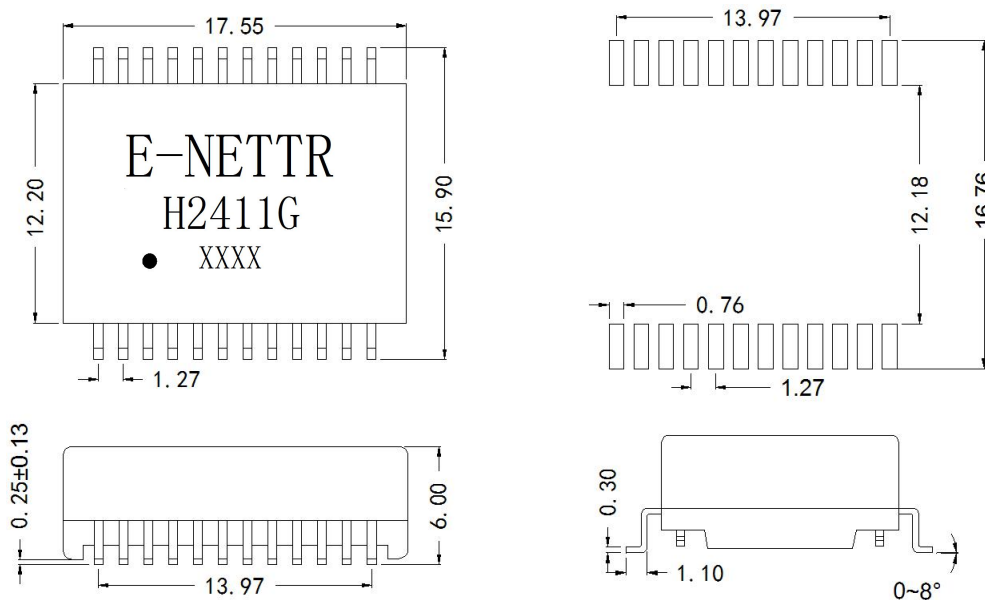
Electrical Specifications@25° C

| Part Number | Turn Ratio (±3%) | OCL(uH Min) @100KHz/0.1V with 8mA DC Bias | L.L (uH Max) | C _{w/w} (pF Max) | DCR (Ω Max) | Hi-Pot (Vrms MIN) |
|-------------|------------------|---|--------------|---------------------------|-------------|-------------------|
| H2411G | 1CT:1CT | 350 | 0.5 | 28 | 1.0 | AC 1500 / 1mA |

Continue

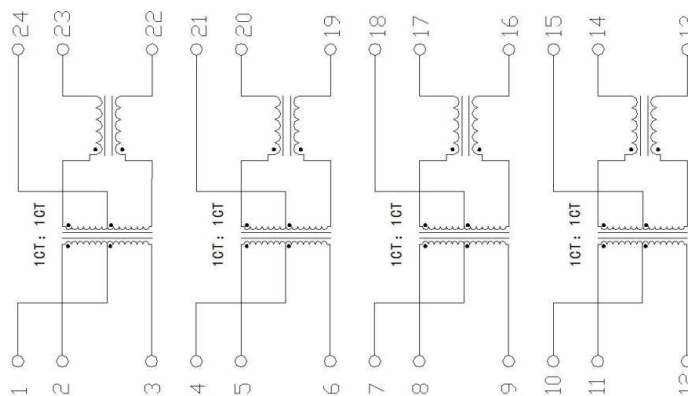
| Part Number | Insertion Loss 0.3~100MHZ (dB Max) | Return Loss (dB Min) | | | | Cross Talk (dB Min) | | | DCMR (dB Min) | | |
|-------------|------------------------------------|----------------------|-------|-------|--------|---------------------|-------|--------|---------------|-------|--------|
| | | 0.3-30MH | 60MHz | 80MHz | 100MHz | 30MHz | 60MHz | 100MHz | 0.3-30MHz | 60MHz | 100MHz |
| H2411G | -1.1 | -18 | -14 | -12 | -10 | -40 | -35 | -33 | -40 | -35 | -30 |

Mechanical



Unless otherwise specified tolerances: xx.xo ± 0.25mm
o.xx ± 0.05mm

Schematic



东莞市祥星电子有限公司

地址：东莞市石碣镇横滘科技中路第三工业区

TEL:0769-86384669

FAX:0769-81813600

xxing.guang@163.com