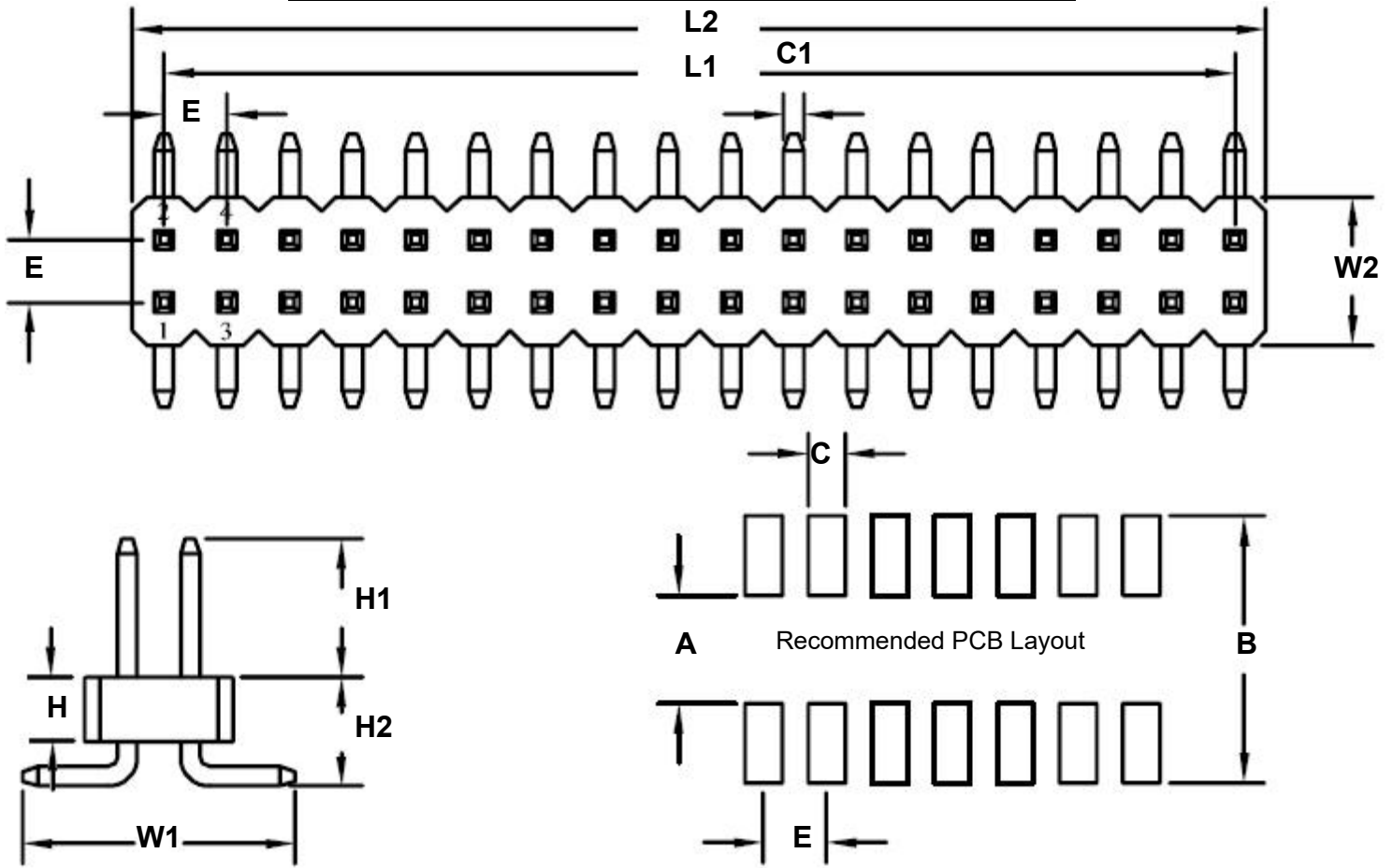


1.00 mm 80 pin Vertical Male Header Surface Mount Gold

REF.	DIMENSIONS					
	mm			inches		
	MIN.	TYP.	MAX.	MIN.	TYP.	MAX.
A		1.20				
B		6.20				
C		0.56				
C1		0.30				
E		1.00				
H		1.50				
H1		1.90				
H2		1.90				
L1		39.00				
L2		40.00				
W1		5.20				
W2		3.17				



SPECIFICATIONS

Plastic body construction: PA6T plastic (320°C melting point)

Pin construction: Gold plated (brass pin, with 1um gold over 50um nickel)

Operating temperature range: -40°C to +130°C

Reflow maximum temperature: +260°C

Mouser Electronics

Authorized Distributor

Click to View Pricing, Inventory, Delivery & Lifecycle Information:

[Chip Quik:](#)

[HDR100MET80M-G-V-SM](#)