

Customer Information Sheet

DRAWING No.: M52-510XX45

SHEET 2 OF 2

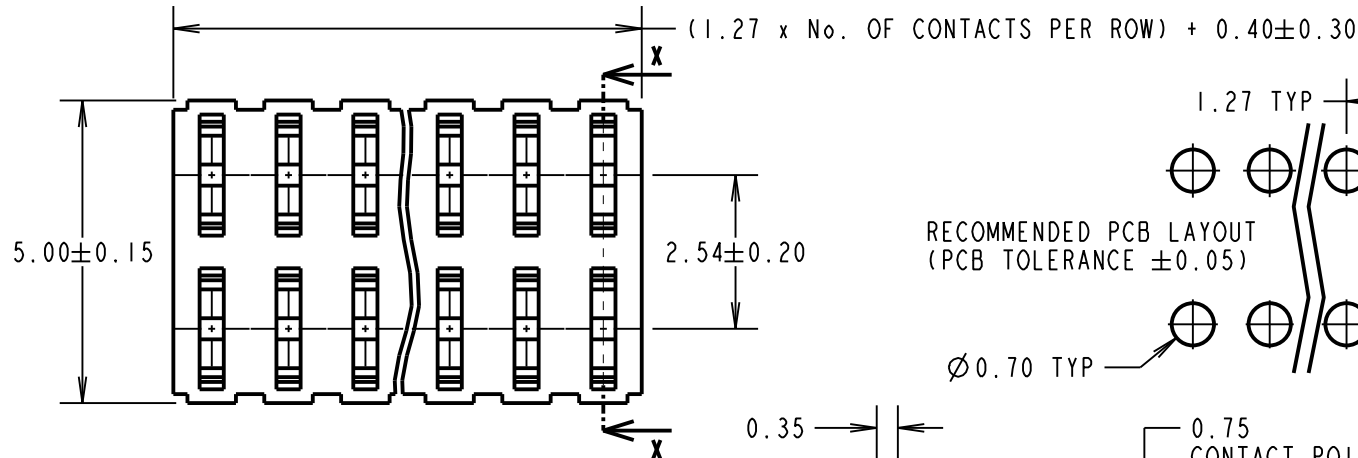
IF IN DOUBT - ASK

©

NOT TO SCALE

THIRD ANGLE PROJECTION

ALL DIMENSIONS IN mm

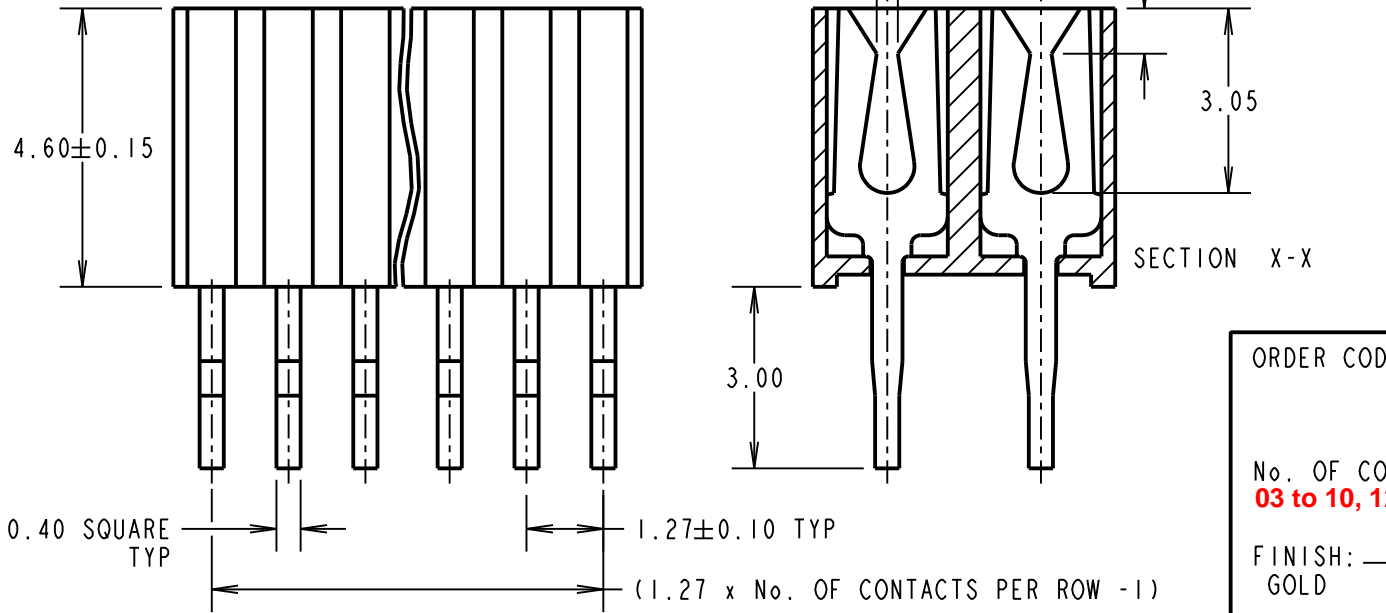


RECOMMENDED PCB LAYOUT
(PCB TOLERANCE ± 0.05)

SPECIFICATIONS:
MATERIAL:
 MOULDING = NYLON 6T UL94V-0, BLACK
 CONTACT = PHOSPHOR BRONZE
FINISH:
 CONTACT = GOLD OVER NICKEL
ELECTRICAL:
 CURRENT RATING = 1A
 DIELECTRIC WITHSTAND VOLTAGE = 500V AC FOR ONE MINUTE
 CONTACT RESISTANCE = $30\text{m}\Omega$ MAX
 INSULATION RESISTANCE = $1000\text{M}\Omega$ MIN
MECHANICAL:
 INSERTION FORCE = IN MAX PER PIN
 WITHDRAWAL FORCE = 0.12N MIN PER PIN
 DURABILITY = 300 CYCLES
ENVIRONMENTAL:
 OPERATING TEMPERATURE = -40°C TO $+105^\circ\text{C}$
PACKING:
 TUBE

OBSOLETE

No. of contacts per row = 02, 11, 13, 14, 15 to 19, 21 to 24, 26 to 29, 31 to 39
Last Time Buy = 15th June 2018



NOTES:
 1. ALL TOLERANCES ARE ± 0.25 UNLESS OTHERWISE STATED.

ORDER CODE:
M52-510XX45

No. OF CONTACTS PER ROW: 03 to 10, 12, 15, 20, 25, 30, 40

FINISH:
 GOLD

SB	10	17.12.13	11905
NAME	ISS.	DATE	C/NOTE
APPROVED:		S.BENNETT	
CHECKED:		S.FLOWER	
DRAWN:		J. ENRIGHT	
CUSTOMER REF.:			
ASSEMBLY DRG:			

HARWIN

www.harwin.com
 technical@harwin.com

THIS DRAWING AND ANY INFORMATION OR DESCRIPTIVE MATTER SET OUT HEREON ARE CONFIDENTIAL AND COPYRIGHT PROPERTY OF THE HARWIN GROUP AND MUST NOT BE DISCLOSED, LOANED, COPIED OR USED FOR MANUFACTURING, TENDERING OR FOR ANY OTHER PURPOSE WITHOUT THEIR WRITTEN PERMISSION.

TOLERANCES
~~X = $\pm 1\text{mm}$~~
~~X.X = $\pm 0.25\text{mm}$~~
~~X.XX = $\pm 0.10\text{mm}$~~
~~X.XXX = $\pm 0.01\text{mm}$~~
 ANGLES = $\pm 5^\circ$
 UNLESS STATED

MATERIAL:
 SEE ABOVE

FINISH:
 SEE ABOVE

S/AREA: mm²

TITLE:
 1.27mm PITCH DIL
 VERTICAL PC TAIL SOCKET ASSY

DRAWING NUMBER:
M52-510XX45

SHT 2 OF 2