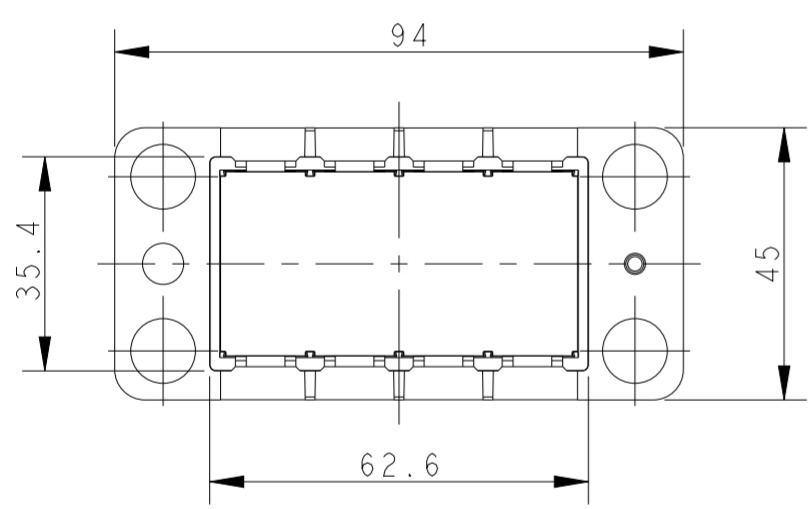
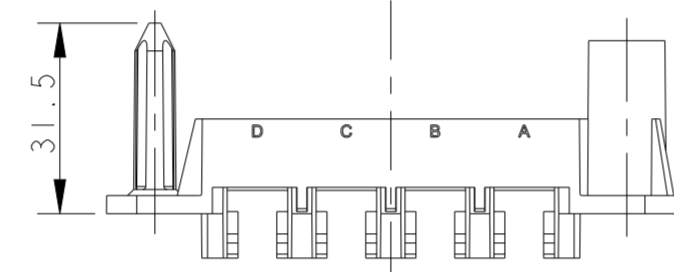
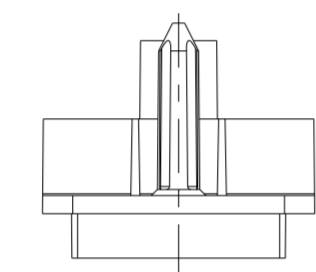
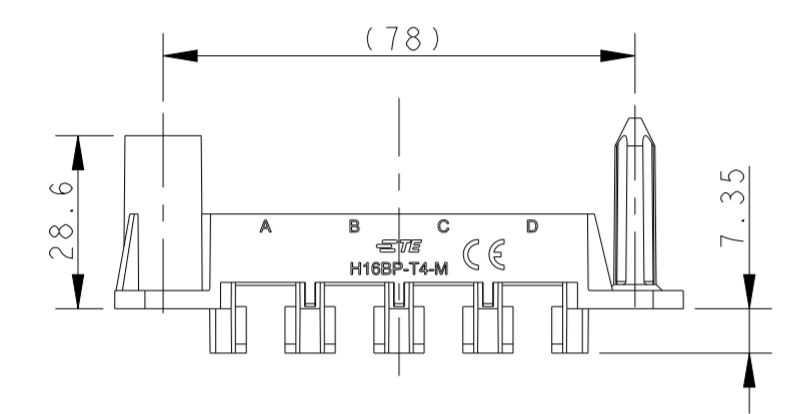
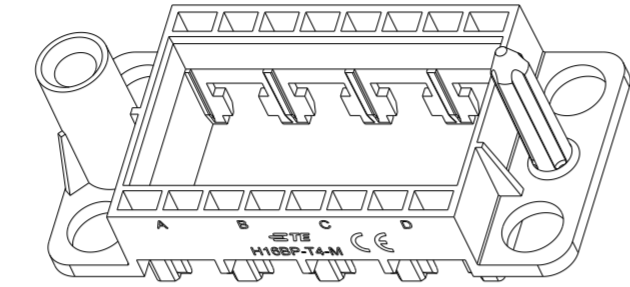
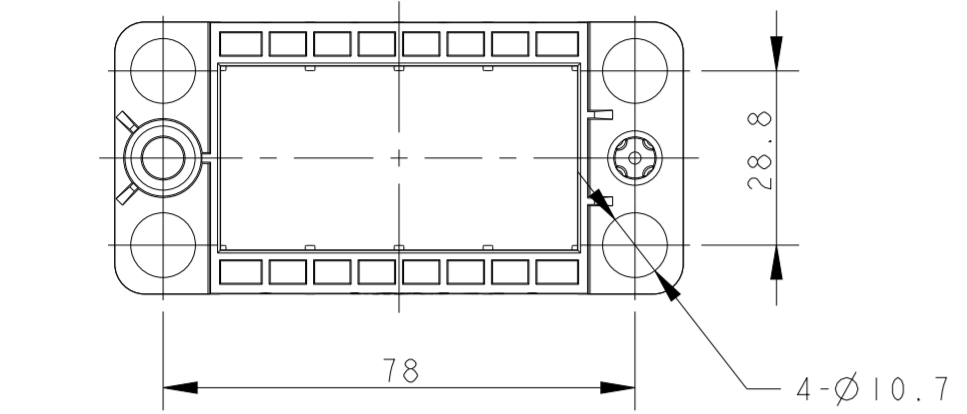


THIS DRAWING IS UNPUBLISHED. RELEASED FOR PUBLICATION 20  
 © COPYRIGHT 20 BY - ALL RIGHTS RESERVED.

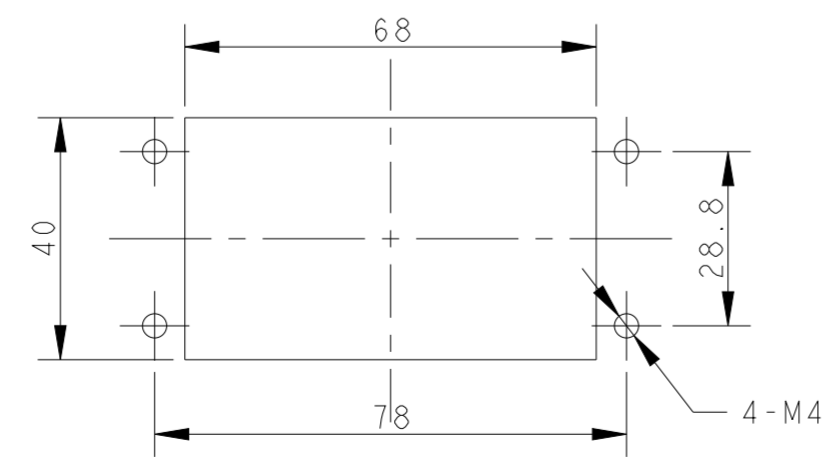
REVISIONS					
P	LTR	DESCRIPTION	DATE	DWN	APVD
A		INITIAL RELEASE	30DEC2015	DL	CW
B		ECR-21-122216	09DEC2021	WOR	CW



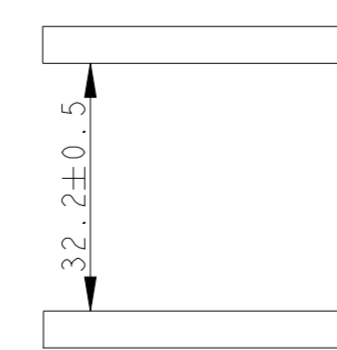
H16BP-T4-M  
 T2071164101-000  
 DOCKING FRAME FOR HMN INSERTS\_FLOATING  
 4 MODULES

NOTES:  
 1. TECHNICAL CHARACTERISTICS:  
 INSULATION MATERIAL: PC  
 FLAMMABILITY: UL94V-0  
 MATING CYCLES: 500

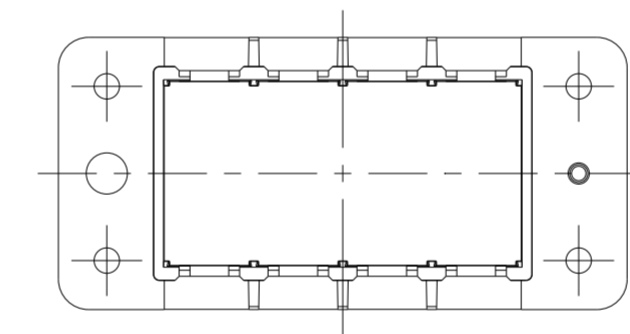
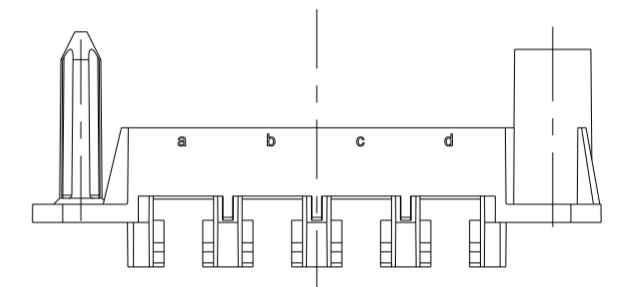
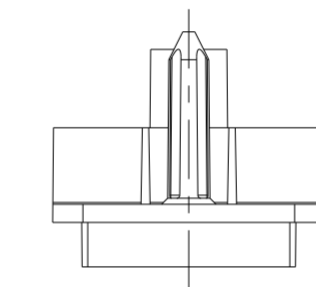
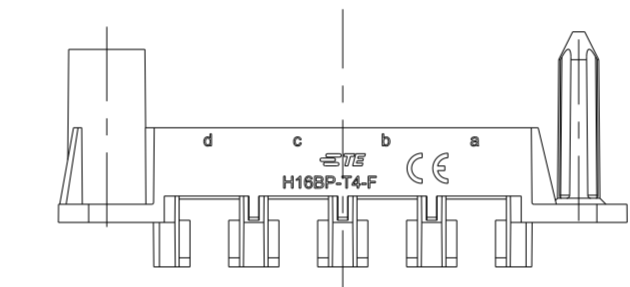
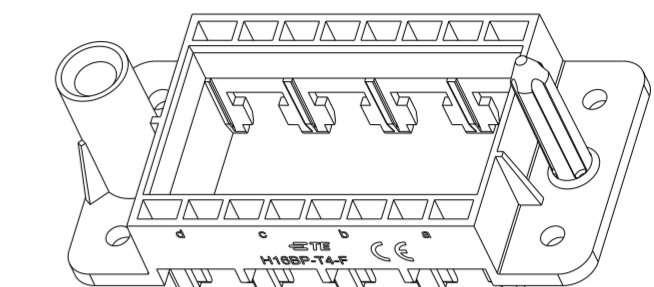
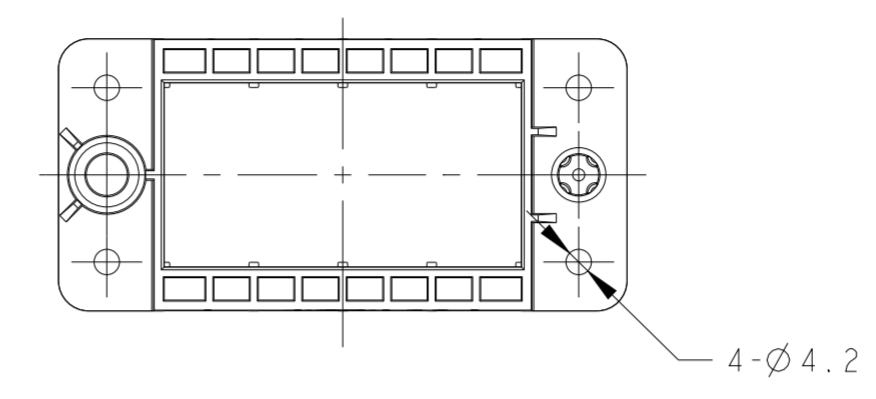
注释:  
 1. 技术参数:  
 绝缘材料: PC  
 阻燃等级: UL94V-0  
 插拔次数: 500次



PANEL CUT OUT



SPACING OF TWO PANELS  
 AT CLOSE STATUS



OTHER SPEC REFER TO  
 PN T2071164101-000  
 H16BP-T4-F  
 T2071164201-000  
 DOCKING FRAME FOR HMN INSERTS\_FIXED  
 4 MODULES

T2071164201-000	H16BP-T4-F DOCKING FRAME FOR HMN INSERTS_FIXED HMN 塑胶框架_固定端
T2071164101-000	H16BP-T4-M DOCKING FRAME FOR HMN INSERTS_FLOATING HMN 塑胶框架_浮动端
PART NUMBER 料号	PART DESCRIPTION 描述

THIS DRAWING IS A CONTROLLED DOCUMENT.		DWN DAVID LI 30DEC2015	TE Connectivity	
DIMENSIONS: mm		CHK CHRIS WANG 30DEC2015		
TOLERANCES UNLESS OTHERWISE SPECIFIED:		APVD XU XINAG 30DEC2015		
0 PLC ± 1 PLC ± 2 PLC ± 3 PLC ± 4 PLC ± ANGLES ± FINISH -		PRODUCT SPEC 108-137168 APPLICATION SPEC 114-137168 WEIGHT - CUSTOMER DRAWING		
NAME H16BP-T4-M/F DOCKING FRAME FOR HMN INSERTS 4 MODULES			SIZE A2	CAGE CODE -
DRAWING NO. C-T2071164X01000			RESTRICTED TO -	SCALE 4:5
SHEET 1 OF 1			REV B	