

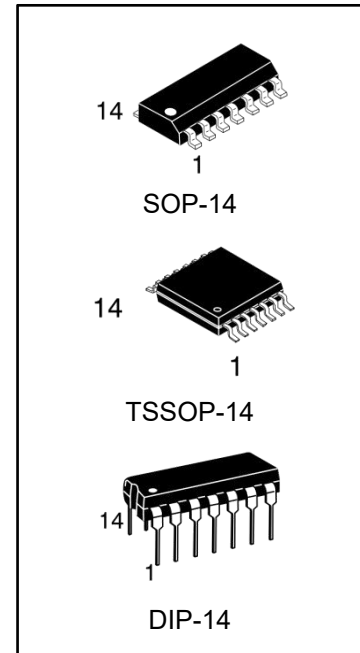
QUADRUPLE OPERATIONAL AMPLIFIERS

DESCRIPTION

The LM324-TD consists of four independent, high gain, internally frequency compensated operational amplifiers which were designed specifically to operate from a single power supply over a wide range of voltages. Operation from split power supplies is also possible and the low power supply current drain is independent of the magnitude of the power supply voltage. Application areas include transducer amplifiers, DC gain blocks and all the conventional op amp circuits.

FEATURES

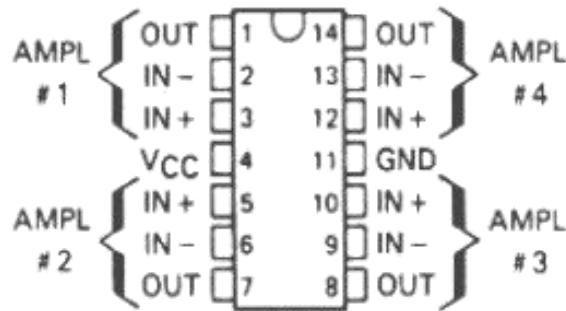
- Wide range of supply voltages
- Low supply current drain independent of supply voltage
- Low input biasing current
- Low input offset voltage and offset current
- Input common-mode voltage range includes ground
- Differential input voltage range equal to the power supply voltage
- DC voltage gain 100 V/ mV Typ
- Internally frequency compensation



ORDERING INFORMATION

DEVICE	Package Type	MARKING	Packing	Packing Qty
LM324N	DIP-14	LM324	TUBE	1000pcs/Box
LM324-TD	SOP-14	LM324	REEL	2500pcs/Reel
LM324MT/TR	TSSOP-14	LM324	REEL	2500pcs/Reel

PACKAGE INFORMATION



DIP-14/SOP-14/TSSOP-14

ELECTRICAL CHARACTERISTICS

at specified free-air temperature, VCC = 5V (unless otherwise noted)

PARAMETER	TEST CONDITIONS*	LM324			UNIT	
		MIN	TYP	MAX		
VIO Input offset voltage	Vcc = 5V to MAX, VIC=VICRmin, VO=1.4V	25°C	3	7	mV	
		Full temperature range		9		
α VIO Average temperature coefficient of input offset voltage		Full temperature range	7		$\mu\text{V}/^\circ\text{C}$	
IIO Input offset current	Vo=1.4V	25°C	2	50	nA	
		Full temperature range		150		
α IIO Average temperature coefficient of input offset current		Full temperature range	10		$\text{pA}/^\circ\text{C}$	
IIB Input bias current	Vo=1.4V	25°C	-20	-250	nA	
		Full temperature range		-500		
VICR Common-mode input voltage range	Vcc = 5V to MAX	25°C	0 to Vcc-1.5		V	
		Full temperature range	0 to Vcc - 2			
VOH High-level output voltage	RL = 2 k Ω	25°C	Vcc-1.5		V	
	Vcc = MAX, RL = 2k Ω	Full temperature range	26			
	Vcc = MAX, RL = 10 k Ω	Full temperature range	27	28		
VOL Low-level output voltage	RL = 10 k Ω	Full temperature range		5	20	mV
AVD	Vcc = 15 V,	25°C	25	100		V/mV

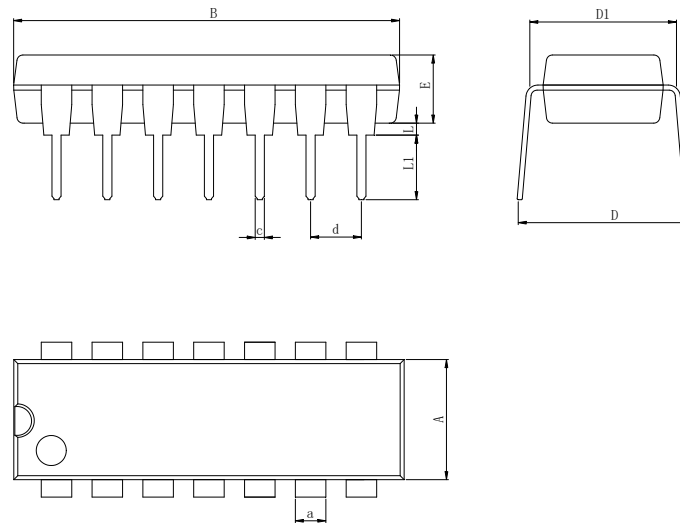
Large-signal differential voltage amplification	Vo=1V to 11 V, RL≥2 kΩ	Full temperature range	15			
CMRR Common-mode rejection ratio	Vcc = 5V to MAX, VIC = VICR min	25°C	65	80		dB
kSVR Supply voltage rejection ratio (ΔVcc/ΔVIO)	Vcc = 5V to MAX	25°C	65	100		dB
Vo1/Vo2 Crosstalk attenuation	f=1kHz to 20 kHz	25°C		120		dB
IO Output current	Vcc = 15 V, VID=1V,Vo= 0	25°C	-20	-30		mA
		Full temperature range	-10			
	Vcc = 15 V, VID= -1V, Vo=15V	25°C	10	20		μA
		Full temperature range	5			
VID= -1V, Vo = 200 mV	25°C	12	30			
Ios Short-circuit output current	Vcc at 5 V, GND at -5V,Vo=0	25°C		±40	±60	mA
Icc Supply current (four amplifiers)	Vo = 2.5 V, No load	Full temperature range		1.5	2.4	mA
	Vcc = MAX, Vo = 0.5Vcc, No load	Full temperature range		1.1	3	

* All characteristics are measured under open loop conditions with zero common-mode input voltage unless otherwise specified.

"MAX" Vcc for testing purposes is 30 V. Operating temperature -40~ 85° C, MAX Junction temperature + 125°C.

PHYSICAL DIMENSIONS

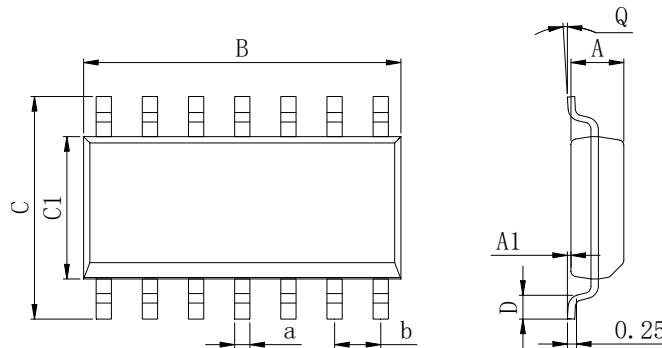
DIP-14



Dimensions In Millimeters(DIP-14)

Symbol:	A	B	D	D1	E	L	L1	a	c	d
Min:	6.10	18.94	8.10	7.42	3.10	0.50	3.00	1.50	0.40	2.54 BSC
Max:	6.68	19.56	10.9	7.82	3.55	0.70	3.60	1.55	0.50	

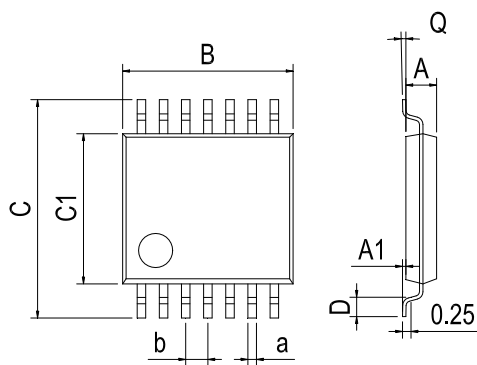
SOP-14



Dimensions In Millimeters(SOP-14)

Symbol:	A	A1	B	C	C1	D	Q	a	b
Min:	1.35	0.05	8.55	5.80	3.80	0.40	0°	0.35	1.27 BSC
Max:	1.55	0.20	8.75	6.20	4.00	0.80	8°	0.45	

TSSOP-14



Dimensions In Millimeters(TSSOP-14)									
Symbol:	A	A1	B	C	C1	D	Q	a	b
Min:	0.85	0.05	4.90	6.20	4.30	0.40	0°	0.20	0.65 BSC
Max:	0.95	0.20	5.10	6.60	4.50	0.80	8°	0.25	