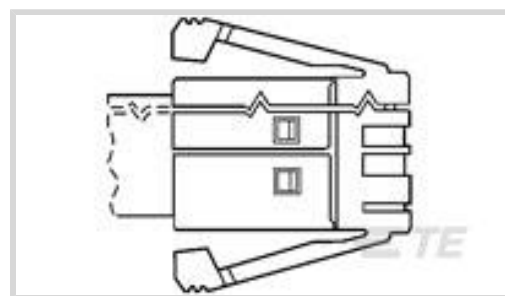


**AMPLIMITE**

TE Internal #: 5-1761187-3

Plug, Flat Ribbon Cable, 26 AWG / 28 AWG, .081 mm² / .12 – .15 mm² / .129 mm² Wire, Cable-to-Board, 8 Position, SDL Connectors[View on TE.com >](#)

Connectors > Audio & Video Connectors > SDL Connectors

Connector & Housing Type: **Plug**Compatible With Wire & Cable Type: **Flat Ribbon Cable**Wire Size: **28 AWG, 26 AWG**Connector System: **Cable-to-Board****Features****Industry Standards**

UL Flammability Rating	UL 94V-2
------------------------	----------

Body Features

Shield Plating Material	Tin over Nickel
Shield Material	Brass

Mechanical Attachment

Polarization Code	E
PCB Mount Retention	Without
Connector Mounting Type	Cable Mount (Free-Hanging)

Contact Features

Contact Mating Area Plating Material	Gold
Contact Base Material	Copper Alloy
	50 μin
Contact Current Rating (Max)	1.5 A

Housing Features

Housing Material	Polycarbonate
Housing Color	Smoke Gray
Centerline (Pitch)	1.27 mm[.05 in]

Dimensions

Conductor Insulation Diameter Range	.91 mm[.038 in]
-------------------------------------	-----------------

Wire Size	28 AWG, 26 AWG
-----------	----------------

Product Type Features

Receptacle Configuration	Standard
Connector & Housing Type	Plug
Connector System	Cable-to-Board
Connector & Contact Terminates To	Wire & Cable

Configuration Features

Compatible With Wire & Cable Type	Flat Ribbon Cable
Number of Positions	8

Usage Conditions

Operating Temperature Range	-20 – 80 °C[-4 – 176 °F]
-----------------------------	--------------------------

Operation/Application

Circuit Application	Signal
---------------------	--------

Other

EU RoHS Compliance	Compliant
EU ELV Compliance	Compliant

Product Compliance

[For compliance documentation, visit the product page on TE.com>](#)

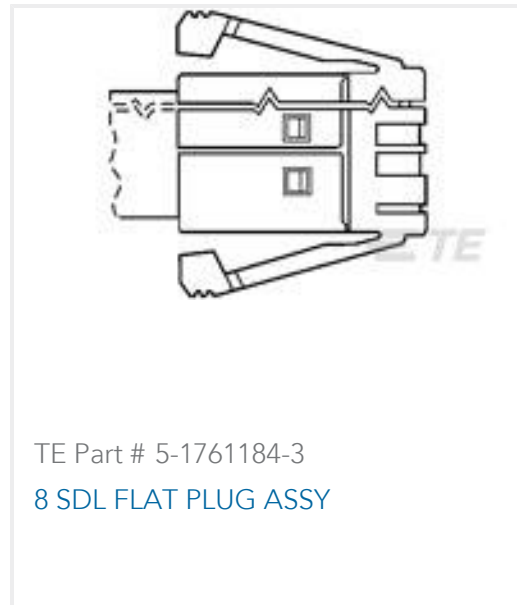
EU RoHS Directive 2011/65/EU	Compliant
EU ELV Directive 2000/53/EC	Compliant
China RoHS 2 Directive MIIT Order No 32, 2016	No Restricted Materials Above Threshold
EU REACH Regulation (EC) No. 1907/2006	Current ECHA Candidate List: JUNE 2024 (241) Candidate List Declared Against: JUNE 2024 (241) Does not contain REACH SVHC
Halogen Content	Not Low Halogen - contains Br or Cl > 900 ppm.
Solder Process Capability	Not applicable for solder process capability

Product Compliance Disclaimer

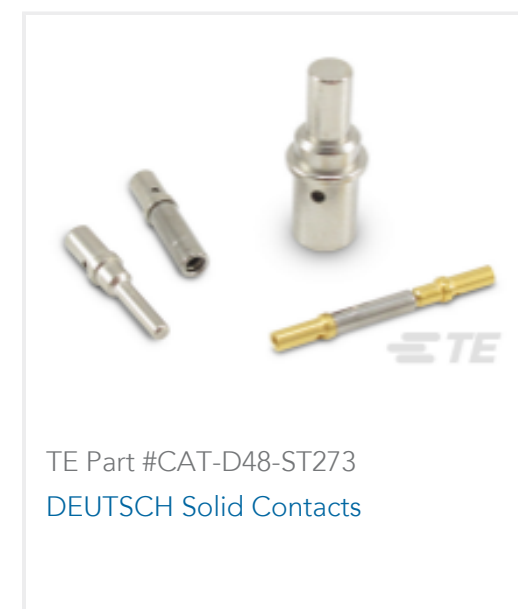
This information is provided based on reasonable inquiry of our suppliers and represents our current actual knowledge based on the information they provided. This information is subject to change. The part numbers that TE has identified as EU RoHS compliant have a maximum concentration of 0.1% by weight in homogenous materials for lead, hexavalent chromium, mercury, PBB, PBDE, DBP, BBP, DEHP, DIBP, and 0.01% for cadmium, or qualify for an exemption to these limits as defined in the Annexes of Directive 2011/65/EU (RoHS2). Finished electrical and electronic equipment products

will be CE marked as required by Directive 2011/65/EU. Components may not be CE marked. Additionally, the part numbers that TE has identified as EU ELV compliant have a maximum concentration of 0.1% by weight in homogenous materials for lead, hexavalent chromium, and mercury, and 0.01% for cadmium, or qualify for an exemption to these limits as defined in the Annexes of Directive 2000/53/EC (ELV). Regarding the REACH Regulation, the information TE provides on SVHC in articles for this part number is based on the latest European Chemicals Agency (ECHA) 'Guidance on requirements for substances in articles' posted at this URL: <https://echa.europa.eu/guidance-documents/guidance-on-reach>

Compatible Parts



Customers Also Bought



Documents

Product Drawings

8 SDL FLAT PLUG ASSY

English

CAD Files

3D PDF

3D

Customer View Model

[ENG_CVM_CVM_5-1761187-3_O.2d_dxf.zip](#)



English

Customer View Model

[ENG_CVM_CVM_5-1761187-3_O.3d_igs.zip](#)

English

Customer View Model

[ENG_CVM_CVM_5-1761187-3_O.3d_stp.zip](#)

English

By downloading the CAD file I accept and agree to the [Terms and Conditions](#) of use.

Product Specifications

[Application Specification](#)

English

Instruction Sheets

[Instruction Sheet \(U.S.\)](#)

English