

# SLIDE SWITCH

**Operation:** SMT/卧式側撥小型 6PIN 二挡位 滑动开关 [柄长可定制]



**LTEM NO.:** MS-202V-□ (Series)

(L9.10mm×W3.5mm×H3.50mm SLIDE-SWITCH)

表面貼裝 SMT

側向操作 LATERAL

精密部品 NICETY

可靠 STABILIZE

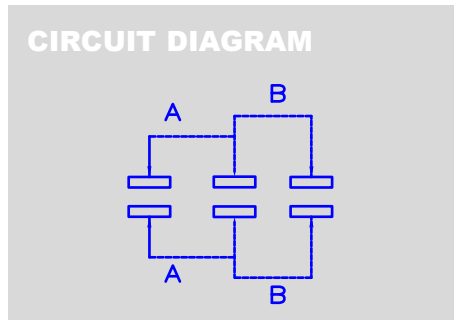
適合環保 RoHS



## Technical parameter

PROJECT	LEVEL	A[better product]	B[average product]
Electrical	Contact Rating	0.5A, 30V DC	
	Initial Contact Resistance	50mΩ max.	
Properties	Insulation Resistance	100MΩ min.500V DC	Skey/PD: 100MΩ min.300V DC
	Withstand Voltage	300V AC for 1 minute	250 V AC for 1 minut
Durable Performance	There No Load	15,000 Cycles	10,000 Cycles
	Rated Load	12,000 Cycles	8,500 Cycles
	Storage temp.	-25℃~+75℃(Operating Temp: )	
	Operating Force	2.6N. (1N.=100gram-force) ±0.5N	
	Heat Rrsistance	IR Reflow:255℃, 5sec. Manual :350℃, 3sec.	

Material declaration		
No.	NAME	Description
1	拨柄	PA46 耐热尼龙塑料
2	盖板	C5191R-H 磷铜(镀银)
3	基座	LCP 30%G/F (Black)耐热塑胶
4	弹片	Beryllium bronze 铍青铜(单面镀银)
5	嵌件	C5191R-H 磷铜(镀银)



Unit:mm

