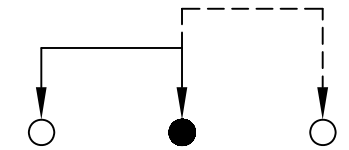
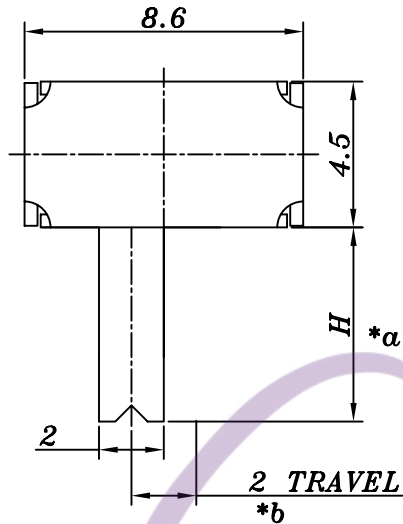
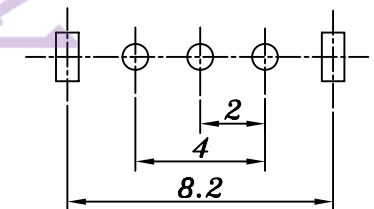
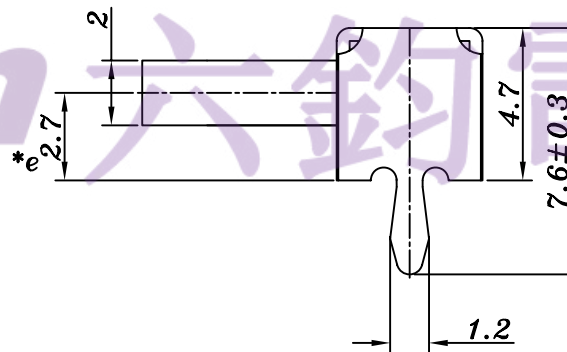
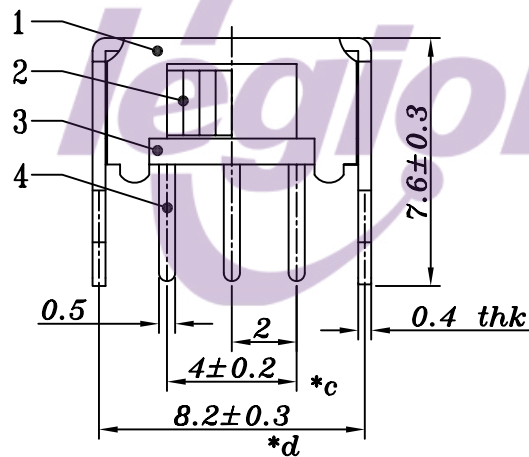


ROHS

HAOYU



SCHEMATIC (NON-SHORTING)



PCB LAYOUT

H=5.5mm

				TOLERANCE UNLESS SPECIFIED							
				UP TO 5mm: ±0.1	ANGULAR	1					
				ABOVE 5mm: ±0.2	±1°	NO	DATE	REVISIONS		BY	APPD
6	SPRING PLATE	SUS	1	Ag-PLATED	TITLE: HORIZONTAL SLIDE SWITCH		UNIT : MM	ROHS COMPLIANT	DWN		
5	CONTACT CLIP	PHOSPHOR BRONZE	1	Ag-PLATED	MODEL: SK-12D02VG5.5		SCALE: 1:1	CHK'D			
4	TERMINAL	BRASS	3	Ag-PLATED	东莞市六钧电子五金有限公司		APPD		PRO.AGL: REV: A0		
3	BASE	PHENOLIC RESIN	1								
2	KNOB	POM/PA66	1	BLACK							
1	FRAME	STEEL	1	Ni-PLATED							
NO.	PART NAME	MATERIAL	QTY	FINISHING							