



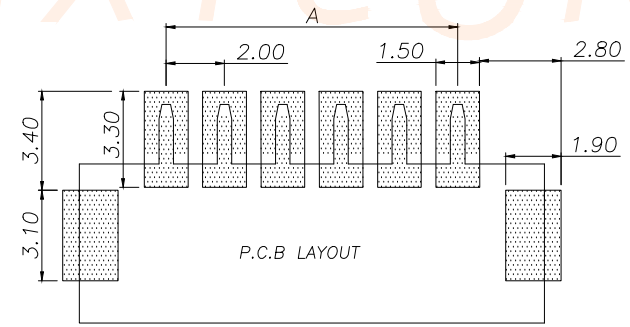
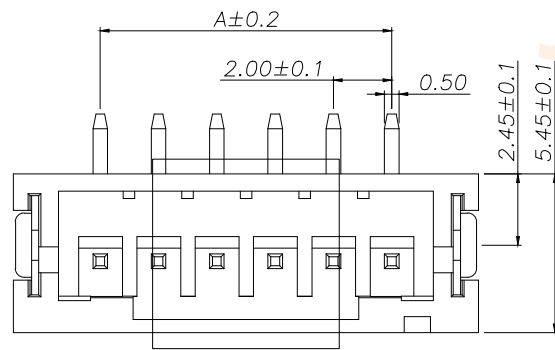
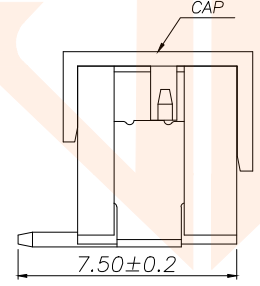
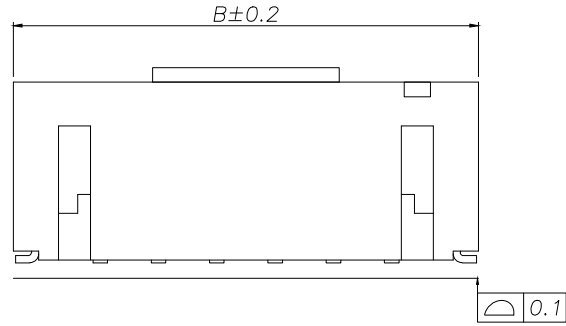
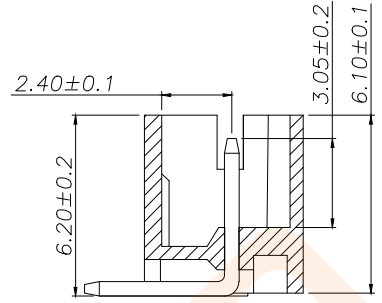
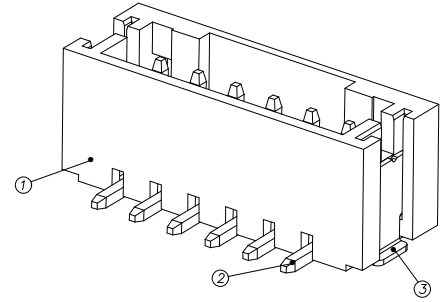
REV.	ECN NO.	DESCRIPTION	DATE	DESIGN

NOTES:

- 1.BASE: LCP
- 2.PIN: Brass
- 3.Solder Tab: Brass

SPECIFICATIONS:

- 1.Spacing: 2.0
- 2.Voltage Rating: 250V AC DC
- 3.Current Rating: 2A AC DC
- 4.Insulation Resistance: 800MΩ Min
- 5.Contact Resistance: 20mΩ Max
- 6.Withstanding voltage: 500V AC 1/Minute
- 7.Temperatuer Range: -25℃ ~+ 85℃



Part No	Pin	A	B
D200F2L1-2W2P43	2	2.00	8.00
D200F2L1-2W3P43	3	4.00	10.00
D200F2L1-2W4P43	4	6.00	12.00
D200F2L1-2W5P43	5	8.00	14.00
D200F2L1-2W6P43	6	10.00	16.00
D200F2L1-2W7P43	7	12.00	18.00
D200F2L1-2W8P43	8	14.00	20.00
D200F2L1-2W9P43	9	16.00	22.00
D200F2L1-2W10P43	10	18.00	24.00
D200F2L1-2W11P43	11	20.00	26.00
D200F2L1-2W12P43	12	22.00	28.00
D200F2L1-2W13P43	13	24.00	30.00
D200F2L1-2W14P43	14	26.00	32.00
D200F2L1-2W15P43	15	28.00	34.00
D200F2L1-2W16P43	16	30.00	36.00

TOLERANCE		深圳聚兴泰电子科技有限公司 Shenzhen Juxingtai Electronic Technology Co., Ltd	
X.X ±0.30	X.* ±5°	PART NO.	TITLE:
.XX ±0.20	X.X* ±3°	D200F2L1-2WXP43	WAFER 2.00 立贴
.XXX ±0.10	X.XX* ±1°	DESIGN: Ethan	MANUFACTURE DWG
UNITS	mm	CHED: Olivia	SCALE SHEET N:A 1/1
MATERILA	---	APPD: Ava	
FINISH	---		