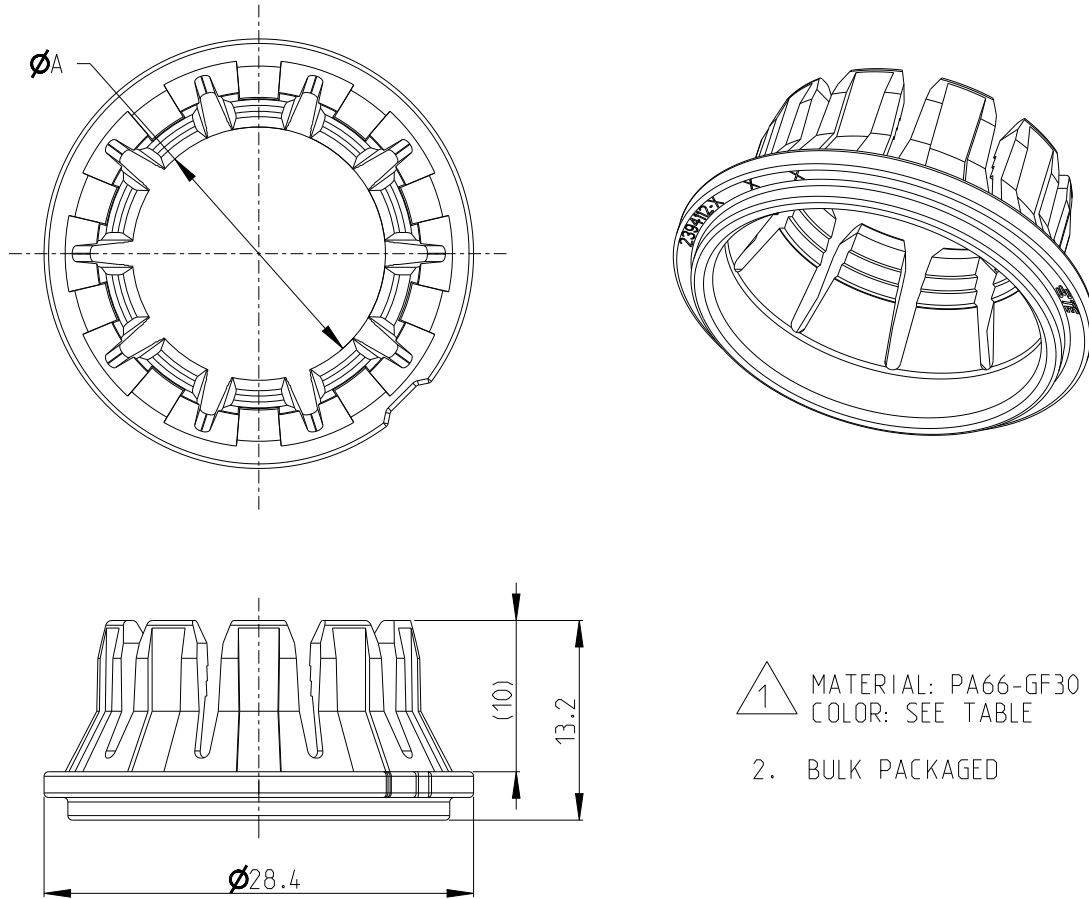


REVISIONS					
P	LTR	DESCRIPTION	DATE	DWN	APVD
	A	INITIAL DRAWING	26AUG2021	S.T	I.Y



- 1 MATERIAL: PA66-GF30  
COLOR: SEE TABLE
- 2. BULK PACKAGED

© 2021 TE Connectivity. All Rights Reserved.

2394112-3	CABLE CLIP - 70	1	BLACK	∅16.75	16.7	17.3
2394112-2	CABLE CLIP - 50	1	BLACK	∅14.65	14.6	15.2
2394112-1	CABLE CLIP - 35	1	BLACK	∅12.45	12.4	13.0
PART NO.	DESCRIPTION	MATERIAL	COLOR	DIM.A	MIN.	MAX.
					CABLE O.D.	

DIMENSIONS: mm	DWN S.T	26AUG2021	MATERIAL	1	FINISH	
	CHK J.L	26AUG2021				
TOLERANCES UNLESS OTHERWISE SPECIFIED: ±0.3	APVD I.Y	26AUG2021				
0 PLC ± 1 PLC ±0.1 2 PLC ±0.01 3 PLC ±0.001 4 PLC ±0.0001 ANGLES ±	PRODUCT SPEC	108-160341	NAME CABLE CLIP HVP-HD1000			
	APPLICATION SPEC	114-160182	SIZE	CAGE CODE	DRAWING NO	RESTRICTED TO
	WEIGHT		A 4	00779	C=2394112	-
CUSTOMER DRAWING			SCALE	2:1	SHEET	1 OF 1
					REV	A