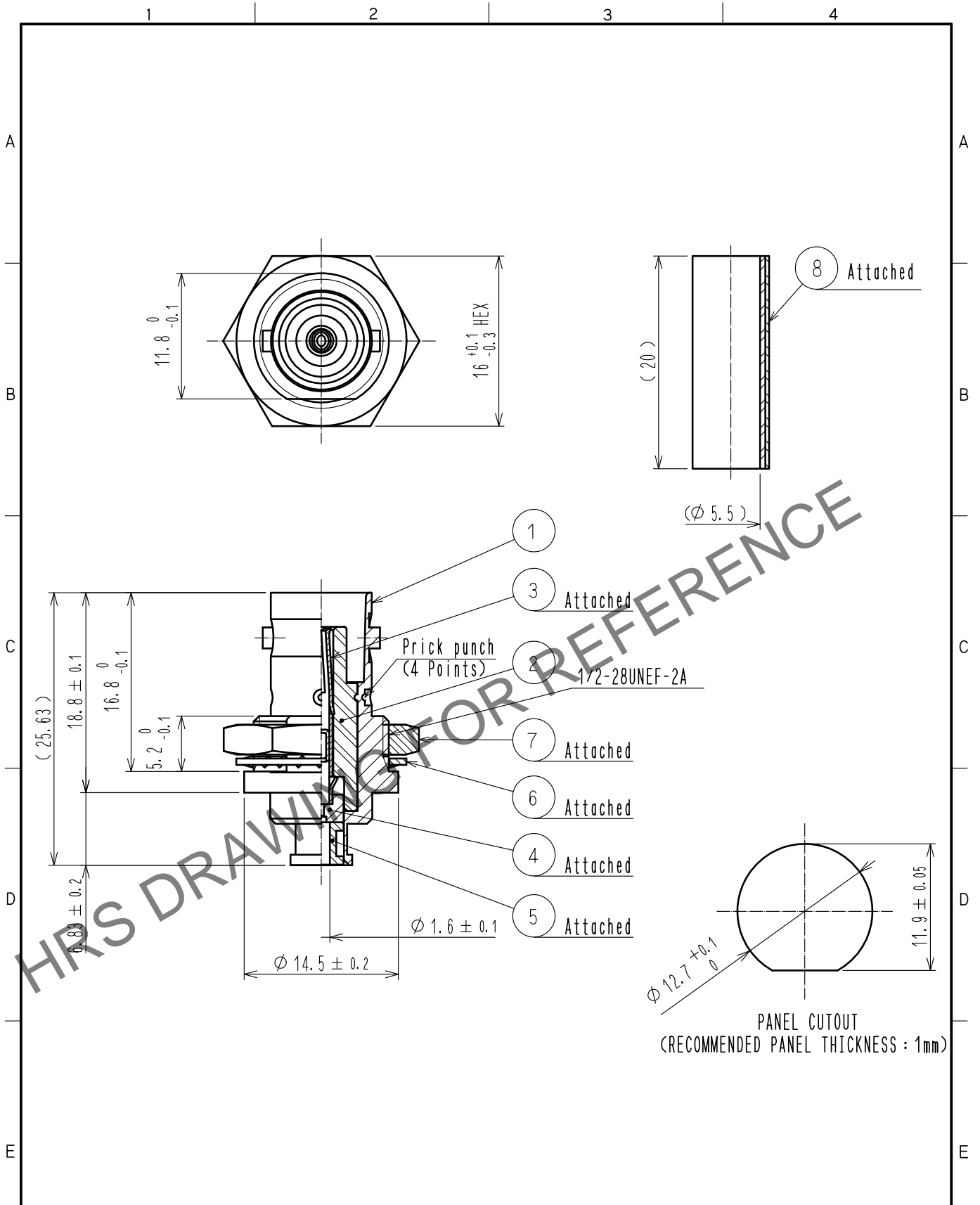


Sep.1.2024 Copyright 2024 HIROSE ELECTRIC CO., LTD. All Rights Reserved.
 In case of consideration for using Automotive equipment / device which demand high reliability, kindly contact our sales window correspondents.



4	PTFE		8	POLYOLEFIN	HEAT SHRINK TUBING
3	PHOSPHOR BRONZE	GOLD PLATING	7	BRASS	NICKEL PLATING
2	PTFE		6	PHOSPHOR BRONZE	NICKEL PLATING
1	BRASS	NICKEL PLATING	5	BRASS	SILVER PLATING
NO.	MATERIAL	FINISH . REMARKS	NO.	MATERIAL	FINISH . REMARKS

UNITS mm		SCALE 2 : 1	COUNT 	DESCRIPTION OF REVISIONS	DESIGNED	CHECKED	DATE
HIROSE ELECTRIC CO., LTD.		APPROVED : NK. NINOMIYA	20211109	DRAWING NO.	EDC-136174-41-00		
		CHECKED : NK. NINOMIYA	20211109	PART NO.	BNC-BPJ-FHSB(41)		
		DESIGNED : MT. KANEKO	20211109	CODE NO.	CL0302-0390-4-41		
		DRAWN : NK. OOSHIMA	20211109	1/1			

Mouser Electronics

Authorized Distributor

Click to View Pricing, Inventory, Delivery & Lifecycle Information:

[Hirose Electric:](#)

[BNC-BPJ-FHSB\(41\)](#)