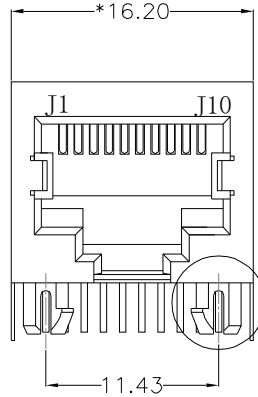
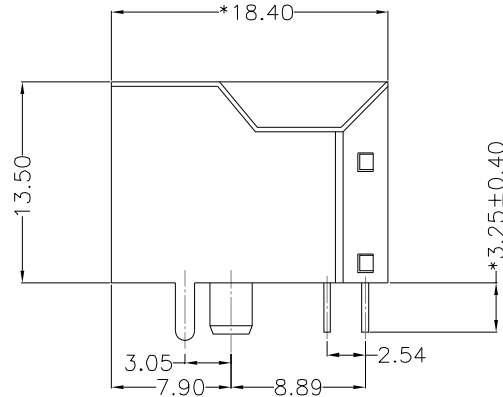


ÜÖÖP/ÄÜJ PÜ  
ÄÖUT ÜŠÖE-V

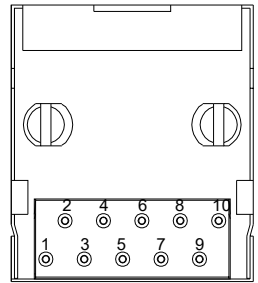
ÜÖXE	ÖÖP/ÄÖÜÖÜÖVÖP	ÖY	ÖÖE/Ö
A0	NEW	X.YAN	2016.10.19



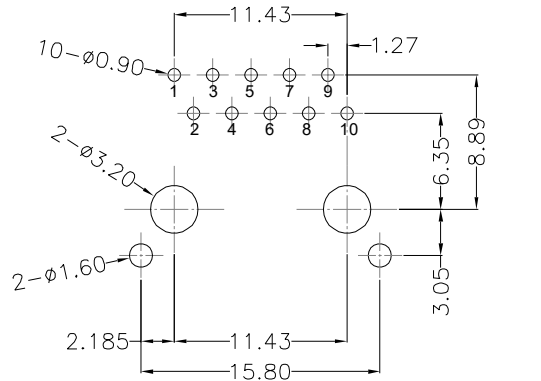
FRONT VIEW



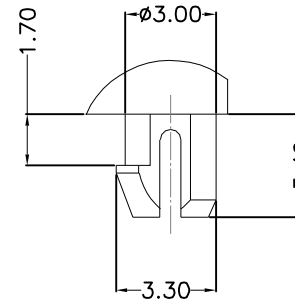
RIGHT SIDE VIEW



BOTTOM VIEW



RECOMMENDED PCB LAYOUT  
VIEWED FROM COMPONENT SIDE

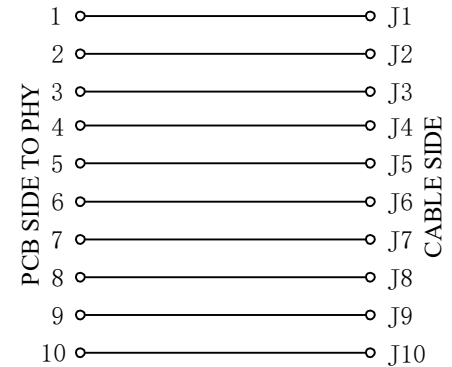


A(2:1)

**MATERIAL:**  
HOUSING: PBT,UL94V-0,BLACK.  
TERMINAL: PHOSPHOR BRONZE Ø=0.46MM,  
G/FU" GOLD PLATING ON CONTACT AREA.  
SHIELD: C2680,T=0.20MM,20 MIN NICKEL PLATING  
ON ALL AREA.

**MACHANICAL:**  
DURABILITY: 750 CYCLES MIN,12.5MM/MINUTE.  
INSERTION FORCE: 2.2KG.F MAX.  
RETENTION STRENGTH : 7.7KG.F BETWEEN JACK AND PLUG.  
OPERATING TEMPERATURE: -40°C~+85°C.  
STORAGE TEMPERATURE: -40°C~+85°C.  
ALL CRITICAL DIMENSIONS WITH "\*"

**ELECTRICAL:**  
VOLTAGE: 125 VOLTS AC.  
CURRENT RATING : 1.5AMP.  
DIELECTRIC STRENGTH: 1000 VAC RMS 50HZ OR 60HZ,1MIN.  
INSULATION RESISTANCE: 500 MEGA OHMS MIN. INITIAL  
AFTER 500V DC FOR 1 MINUTE.  
CONTACT RESISTANCE: SINGLE TERMINAL 30 MILLIOHMS MAX.  
INITIAL 50 MILLIOHMS MAX. AFTER  
DURABILITY TEST.



**CND-tek**  
磁联达

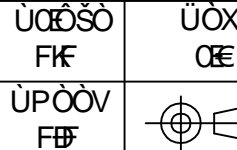
深圳磁联达电子有限公司  
Shenzhen magnetic Lianda Electronics Co., LTD  
Address: 505, West Block, No. 221, Niucheng Road, Niucheng Village, Baiwang  
Community, Xili Street, Nanshan District, Shenzhen  
E-mail: sales1@cd-tek.com 0755-27652992 29016433 Website:www.cd-tek.com

VQŠÖK  
5921 1X1 10P10C EMI

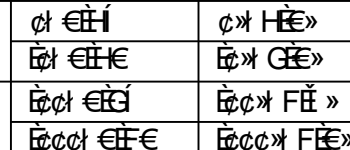
ÜÖÜVÄPÜK  
R1188ER59

ÜÖT ÖÜSK

ÜQÖ  
ÖE  
WÖÜ  
TT ZÖPá



ÖÖPÖÜÖSÄUSÖÜÖÖÜ  
WÖSÖÜÄÜÖÖÖÖ



ÖÜÜÜXÖÖÖYK  
QG.CHEN

ÖPÖÖSÖÖÖYK  
SL.WANG

ÖÖÜPÖÖYK  
X.YAN