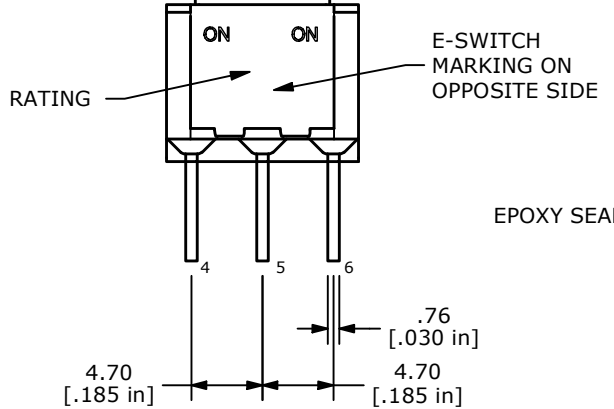
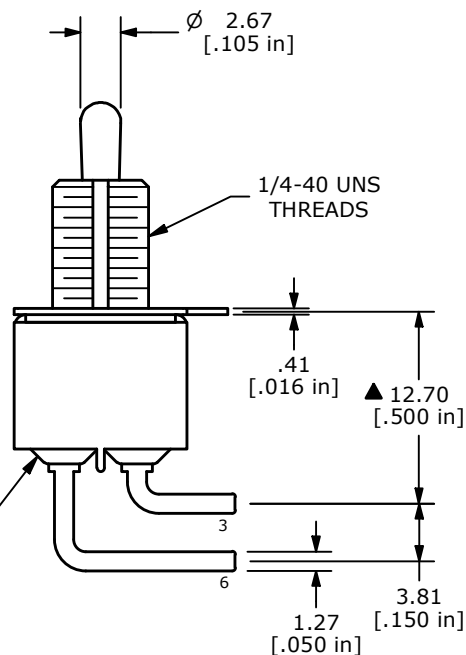
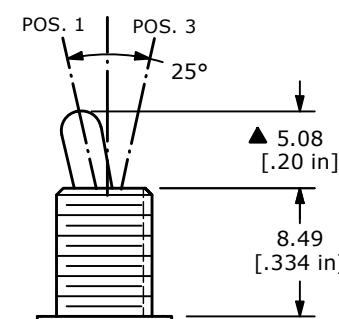
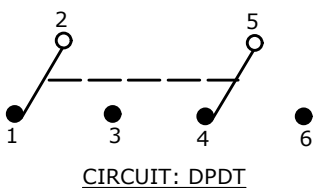
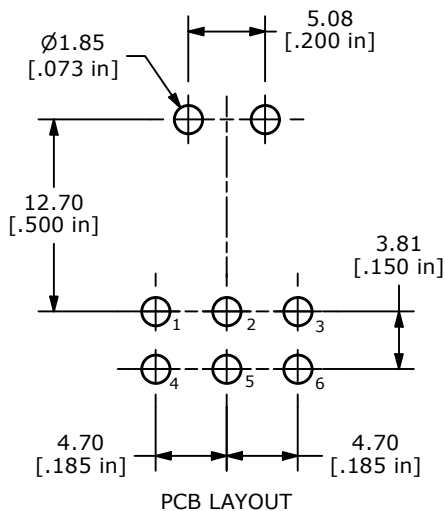


SWITCH FUNCTION		
POS. 1	POS. 2	POS. 3
ON	N/A	ON
2-3, 5-6	N/A	2-1, 5-4



- NOTE:
- ALL DIMENSIONS IN MM [INCH]
 - GENERAL TOLERANCE: X.X = ±0.4
X.XX = ±0.25
 - TERMINAL NUMBERS FOR REF ONLY
 - ▲ PLATING MATERIAL: GOLD
 - RATING: 0.4 (VA) MAX @ 20V MAX
 - LIFE EXPECTANCY: 40,000 make-and-break cycles at full load
 - INSULATION RESISTANCE: 1,000 MILLI-OHMS min.
 - CONTACT RESISTANCE: 10 MILLI-OHMS MAX.
 - DIELECTRIC STRENGTH: 1,000 V RMS @ sea level.
 - OPERATING TEMP.: -30°C to 85°C
 - ▲ DENOTES CRITICAL PARAMETER.
 - ▲ HARDWARE TO BE SHIPPED BULK
T100000 - HEXNUT - QTY 2
T100011 - LOCKWASHER - QTY 1
T100015 - LOCKRING - QTY 1



A	24319	RELEASED FOR PRODUCTION	5/5/20	MW
REV	PCR NO	DESCRIPTION	DATE	BY

THE INFORMATION CONTAINED IN THIS DOCUMENT IS PROPRIETARY TO E-SWITCH AND IS NOT TO BE COPIED OR TRANSFERRED

TITLE 100DP1T2B1M6REH				
SCALE 2:1	DATE 5/21/2020	DR MW	DWG ST121153	REV A

Mouser Electronics

Authorized Distributor

Click to View Pricing, Inventory, Delivery & Lifecycle Information:

[E-Switch:](#)

[100DP1T2B1M6REH](#)