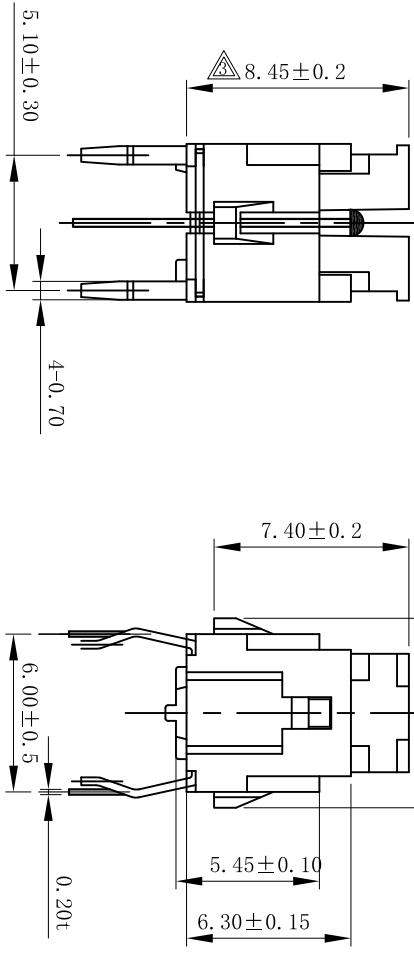
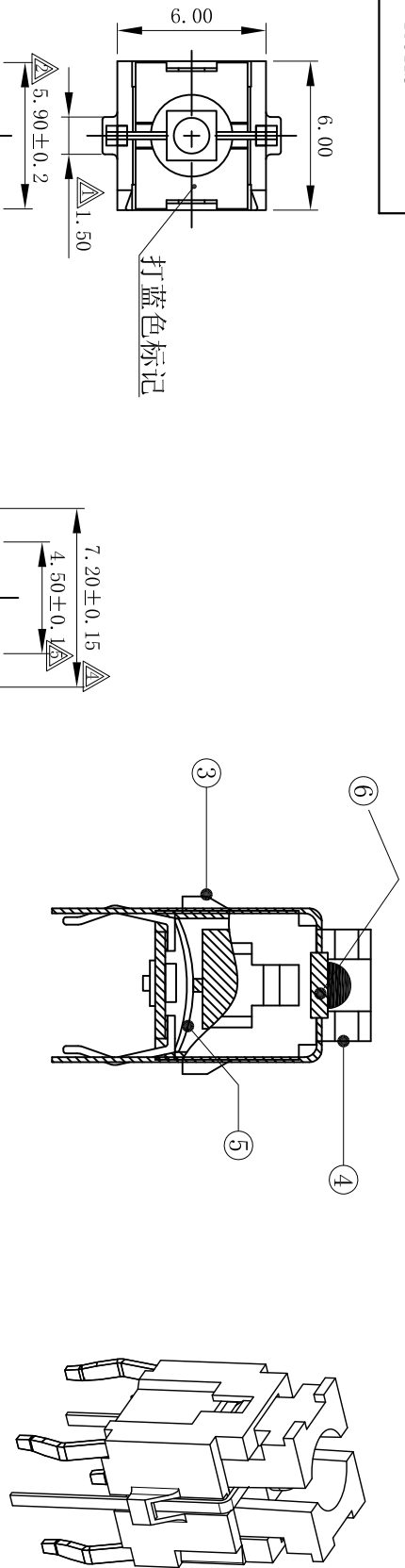
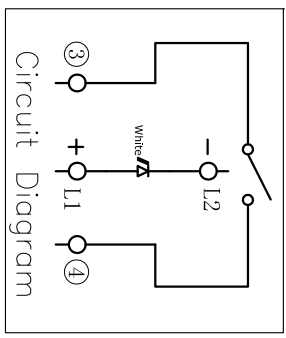
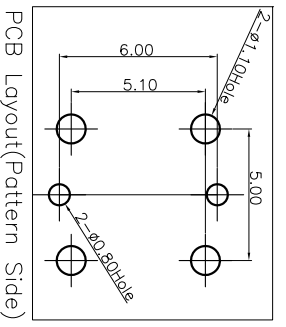
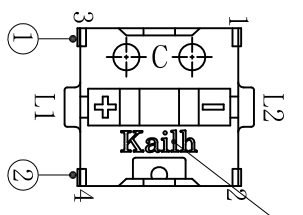


ABIDE BY ROHS



Switch Specification :

1. Rating Switch : DC12V 50mA
2. Contact Resistance : 50mΩ Max
3. Insulation Resistance : 100MΩ Min
4. Withstand Voltage :
5. Operation Force : 150±50gf
6. Life Test : 100,000 Cycles
7. Total Travel : 0.25±0.1mm



|         |      |       |             |         |        |        |
|---------|------|-------|-------------|---------|--------|--------|
| ECN NO. | REV. | DATE. | DESCRIPTION | CHANGE. | CHECK. | APPRO. |
|         | A    |       | NEW         |         |        |        |
|         |      |       |             |         |        |        |
|         |      |       |             |         |        |        |

|                |           |             |      |  |           |
|----------------|-----------|-------------|------|--|-----------|
| ⑥              | LED       | 1           | 1    | φ 1.8mm Super bright White LED         |           |
| ⑤              | Shrapnel  | 1           | 1    | Copper-Silver Composite Plating Silver |           |
| ④              | Keystroke | 1           | 1    | POM White                              |           |
| ③              | Base      | 1           | 1    | PBT Black                              |           |
| ②              | Terminal  | 4           | 1    | BRASS (0.3%) Plating Silver            |           |
| ①              | Terminal  | 3           | 1    | BRASS (0.3%) Plating Silver            |           |
| ITEM           | PART NAME | TER'NO.     | QTY. | MATERIAL                               | FINISHING |
| APPROVALS      |           |             |      |  |           |
| DRAWN          |           | DATE        |      | TITLE:                                 |           |
| 胡前程            |           | 2017.04.07  |      | 6141带灯开关                               |           |
| CHECKED        |           |             |      | Kaihua                                 |           |
| APPROVALS      |           |             |      | 东莞市凯华电子有限公司                            |           |
|                |           |             |      | KAIHUA ELECTRONICS CO.,LTD             |           |
|                |           |             |      | PART NO. CLA606301D02                  |           |
| TOLERANCES ARE |           | ANGLE       |      | SCALE: 4:1                             |           |
| 10<L ≤30 ±0.20 |           | ±2°         |      | PROL                                   |           |
| 5<L ≤10 ±0.15  |           |             |      | SHEET 1 OF 1                           |           |
| L≤5 ±0.10      |           | DRAWING NO. |      |  |           |