

**RAFIX 22 QR - Pushbutton with protective cap, flush lens,  
round collar**  
**1.30.240.105/0308**



#### General information

Form of lens	flat lens
Color of lens	opaque red
Color of front ring	silver-grey
Form of collar	round

#### Dimensions

Mounting depth with contact block without cable	56.4 mm
Mounting hole	ø 22.3 mm
Mounting grid	50 x 30 mm

#### Mechanical design

Mounting	ring nut
Contact function	momentary
Illumination	no

#### Mechanical characteristics

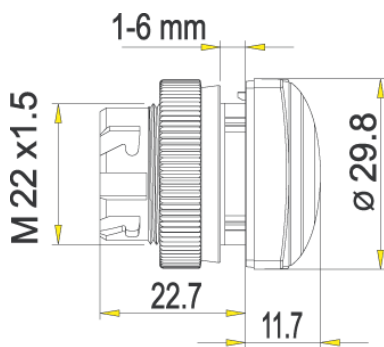
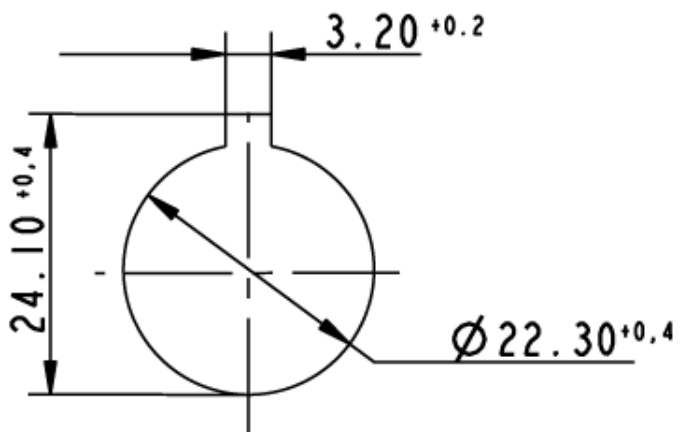
Operating travel	4 mm
Operating force max.	approx. 5 N for 1 switching element
Robustness max.	100 N

#### Other specifications

Operating life (operations)	1,000,000 momentary cycle
Degree of protection from front side	IP65 (DIN EN 60529); IP69K (ISO 20653), water temp. 23 °C ±3 °C
Ambient temp. operating min.	-25 °C
Ambient temp. operating max.	+70 °C
Storage temperature min.	-40 °C
Storage temperature max.	+80 °C
Environmental resistance	acc. to IEC 60068-2-14, -30, -33 and -78
ROHS compliant	yes
REACH compliant	yes

---

Panel cut-out to IEC 60947-5-1



# Mouser Electronics

Authorized Distributor

Click to View Pricing, Inventory, Delivery & Lifecycle Information:

RAFI:

[1.30.240.105/0308](#)