

## RAFIX 22 FS<sup>+</sup> - Keylock switch compact, square collar

**1.30.275.052/0000**

Other lock variants available on request.



Included: 2 keys.

### General information

Color of front ring	silver metallic
Form of collar	square

### Dimensions

Dimensions of collar	29.8 x 29.8 mm
Width of collar	29.8 mm
Overall height	44.1 mm
Mounting depth	PCB 9.2 mm, QC 27 mm
Mounting hole	22.3 mm
Key grid	30 x 30 mm

### Mechanical design

Mounting	ring nut
Contact function	momentary
Illuminability	no
Wafers	5
Lock type	001
Main key	on request
Rotating angle	1 x 40°
Key removal position	0
Torque for nut ring	1.2 Nm

### Mechanical characteristics

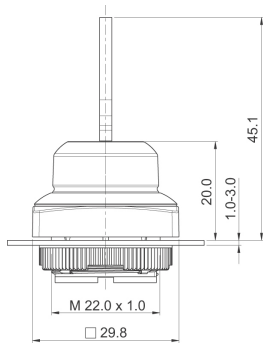
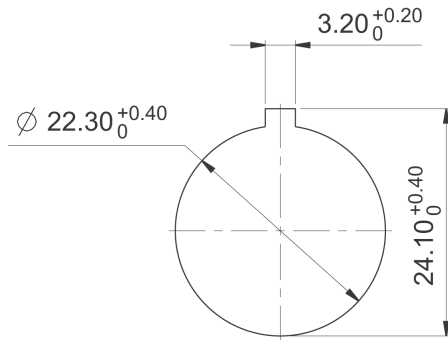
Torque max.	1.3 Nm
-------------	--------

### Other specifications

Operating life	300,000 momentary / 50,000 latching / 30,000 with key removal cycle
B10	400,000 momentary / 65,000 latching / 40,000 with key removal cycle
Degree of protection from front side	IP65 (DIN EN 60529)
Ambient temp. operating min.	-25 °C
Ambient temp. operating max.	+70 °C
Storage temperature min.	-40 °C
Storage temperature max.	+80 °C
Environmental resistance	acc. to IEC 60068-2-14, -30, -33 and -78
ESD-strength lock / contact	15 kV

ESD-strength key / front panel	15 kV
Salt spray	IEC 600 68-2-11
ROHS compliant	yes
REACH compliant	yes

### Panel cut-out to IEC 60947-5-1



# Mouser Electronics

Authorized Distributor

Click to View Pricing, Inventory, Delivery & Lifecycle Information:

[RAFI:](#)

[1.30.275.052/0000](#)