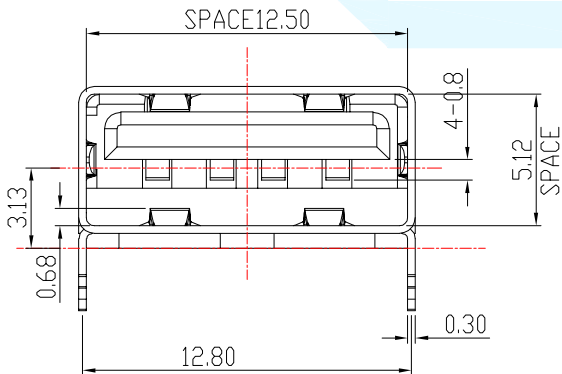
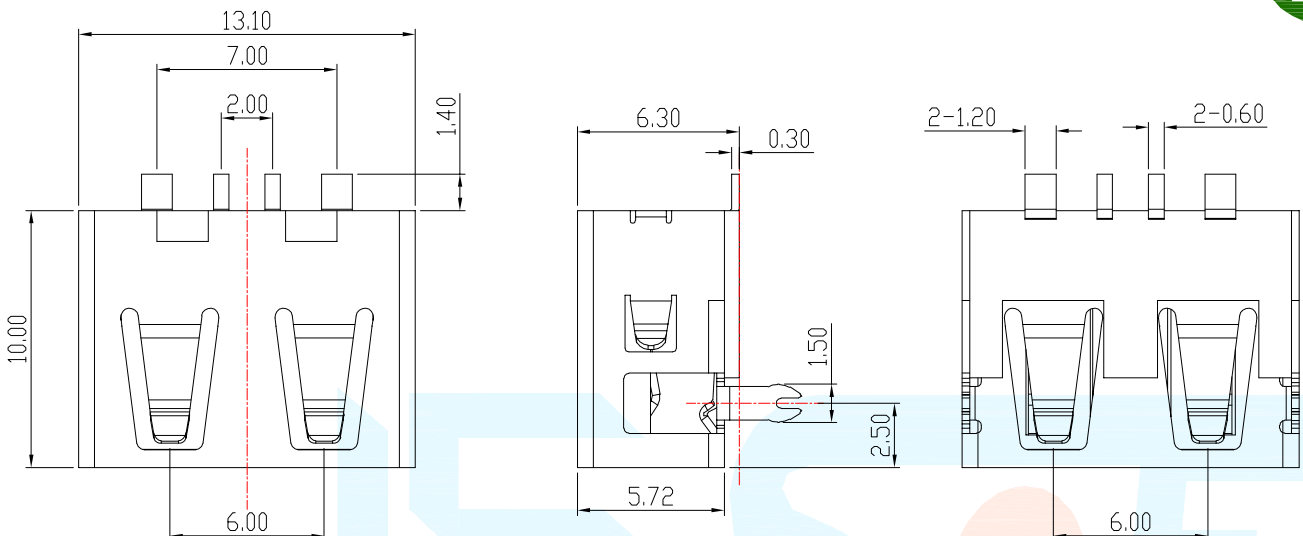
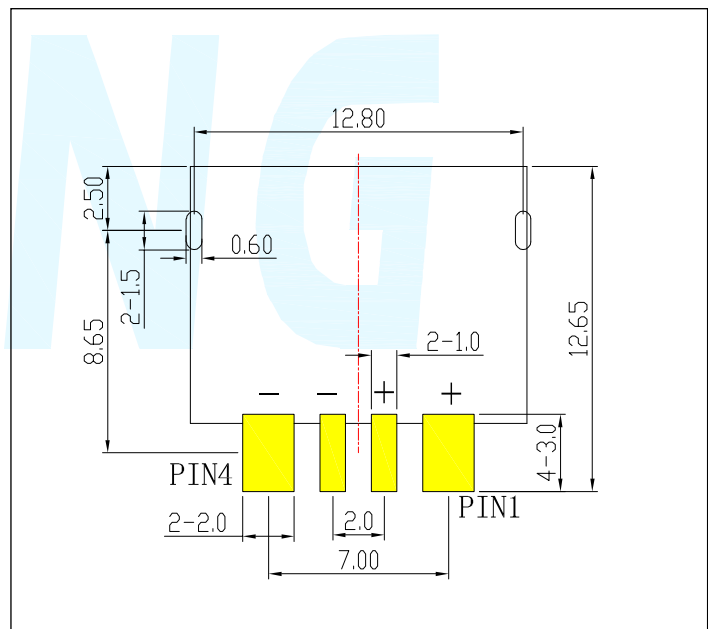


RoHS Compliant

REVISION			
LTR	DESCRIPTION	DATE	APP
A0	NEW RELEASE	05/20/2020	PECK



- Note:
- Material:
 - Housing: High temperature thermoplastic, UL94v-0
 - Orbit: High temperature thermoplastic, UL94v-0
 - Contact: copper alloy,; Gold plated contact area; Tin plated solder area
 - Shell: Stainless; Ni plated alloy; Gold plated solder area
 - Specification:
 - Current rating: 0.5A Max
 - Voltage rating: 5V DC
 - Dielectric withstanding voltage: 500V(AC) for 1 min.
 - Contact resistance: 100mΩ Max.
 - Insulation resistance: 1000MΩ min.
 - Temperature range: -25°C~85°C
 - Mating cycle: 5000 cycles min
 - Insert force: 40N Max
Extraction force: 0.5~40N



1	VCC	+5V
2	-DATA 0	Neegative Data Channel 0
3	+DATA 0	Positive Data Channel 0
4	GND	Ground

DIMENSION CLASSIFICATION		台灣碩方精密電子科技有限公司		TAIWAN SOFNG PRECISION ELECTRONIC CO., LTD		SOFNG	
■ : CRITICAL		TITLE		USB-100SD-F2		開關, 連接器	
☒ : MAJOR		TOLERANCE TABLE		短体无边型前插件USB母座		SOFNG	
.X	± 0.40	PART NO.	USB-100SD-F2		SERIES	SD106	
.XX	± 0.25	APPROVED	Peck	DWG NO.	大电流USB连接器		
.XXX	± 0.10	CHECKED	Paul	SCALE	1:1	UNIT	mm
ANGLE	± 2°	DRAWIN	David	REV	AO	SHEET NO.	1/1