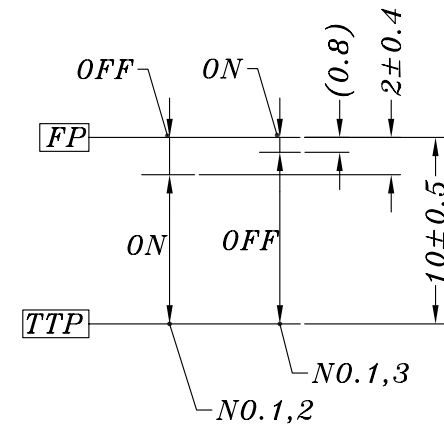
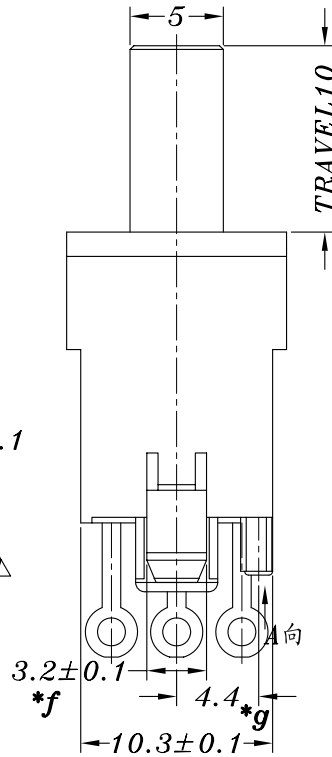
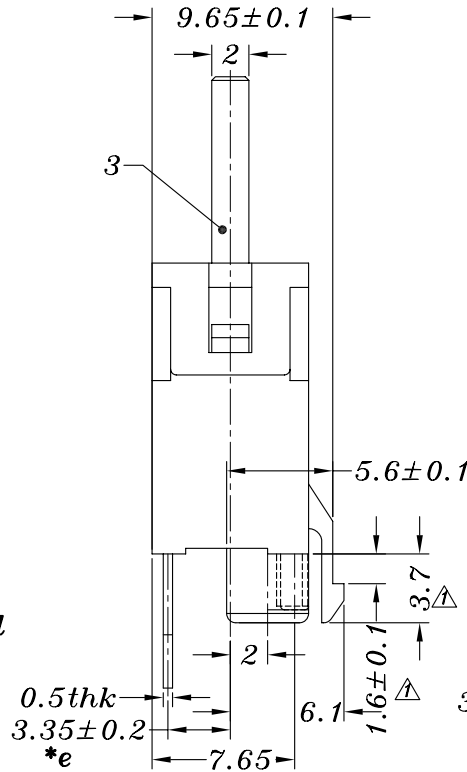
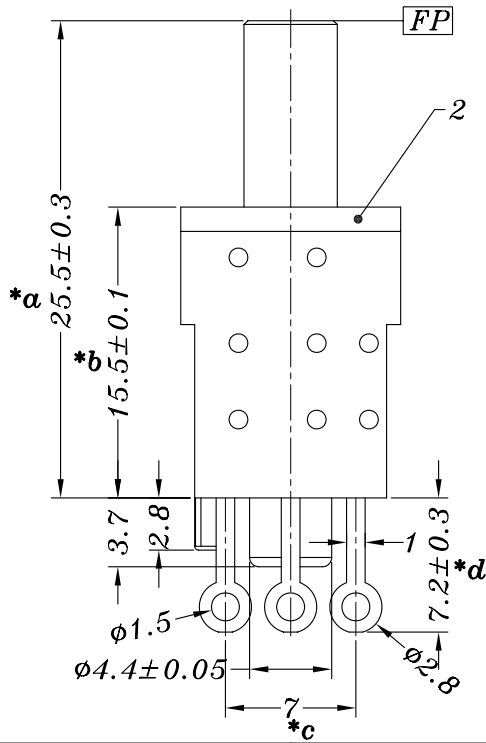


SCHEMATIC

P.C.B LAYOUT



ACTION FIGURE

| NO. | PART NAME | MATERIAL | QTY | FINISHING | TOLERANCE UNLESS SPECIFIED | | REVISIONS | | BY | APPD |
|-----|--------------------|------------|-----|---------------------|--------------------------------------|---------|------------|----------------|------------|----------|
| | | | | | UP TO 5mm: ±0.1 | ANGULAR | △ | 2015.03.9 | 接触片改良 | Hunter.H |
| | | | | | ABOVE 5mm: ±0.2 | ±1° | △ | 2013.05.10 | ECN1305001 | Hunter.H |
| 5 | PB-12R10 SPRING | 0.25mm SUS | 1 | | | | NO | DATE | | |
| 4 | PB-12R10 CONTACT △ | 0.06mm PBS | 1 | Ag CLAD | TITLE: PUSH SWITCH | | UNIT : MM | ROHS COMPLIANT | DWN | |
| 3 | PB-12R10 KNOB | POM | 1 | WHITE | MODEL: PB-12R10A | | SCALE: 2:1 | | CHK'D | |
| 2 | PB-12R10 COVER | PBT/PC | 1 | BLACK/WHITE/NATURAL | HOOYA ELECTRONIC CO. LTD 皓宇电子有限公司 | | | | APPD | |
| 1 | CASE | PA66/BRASS | 1 | BLACK/Ag PLATED | | | PRO.AGL: | | REV : B | |