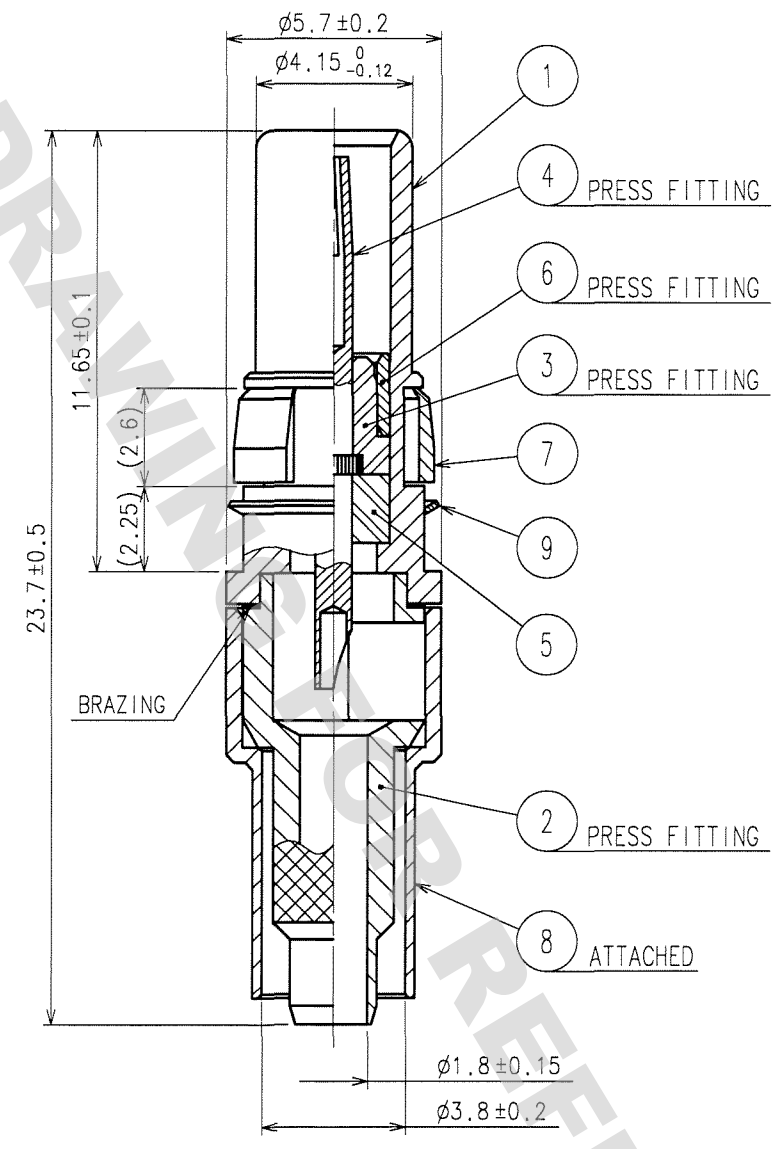


1		2			3			4		
COUNT	DESCRIPTION OF REVISIONS	BY	CHKD	DATE	COUNT	DESCRIPTION OF REVISIONS	BY	CHKD	DATE	
△				..	△				..	
△					△				..	
△					△				..	

APPLICABLE OUTER CONDUCTOR CRIMPING TOOL : UM.MSS-T-1(1.5HOLE)



5	PTFE		9	PHOSPHOR BRONZE	GOLD PLATING
4	BERYLLIUM COPPER	GOLD PLATING	8	BRASS	GOLD PLATING
3	PTFE		7	BERYLLIUM COPPER	NICKEL PLATING
2	BRASS	GOLD PLATING	6	BRASS	GOLD PLATING
1	BRASS	GOLD PLATING			
NO.	MATERIAL	FINISH, REMARKS	NO.	MATERIAL	FINISH, REMARKS

CODE NO. (OLD) CL		DRAWN <i>Y. Suwayama</i> 06.03.13	DESIGNED <i>T. Katayama</i> 06.03.14	CHECKED <i>H. Shimizu</i> 06.03.14	APPROVED <i>J. Mitsuoka</i> 06.03.14	RELEASED
TO		DRAWING NO. EDC4-133144-40		PART NO. P051-J-1.5-B(40)		
RF		SACLE 5 : 1		CODE NO. CL330-0253-2-40		1/1
		UNITS mm		HRS HIROSE ELECTRIC CO., LTD.		

DRAWING FOR REFERENCE: This is subject to change without notice
08/11/2012

TO
RF

Mouser Electronics

Authorized Distributor

Click to View Pricing, Inventory, Delivery & Lifecycle Information:

[Hirose Electric:](#)

[PO51-J-1.5-B\(40\)](#)