

# User's Manual

# ELI156-IPHW



ELI156-IPHW

Revision 1.00

***FDI*** ***Future Designs, Inc.***  
*Your Development Partner*  
996 A Cleaner Way, Huntsville, AL 35805

Copyright ©2021, Future Designs, Inc., All Rights Reserved

### Important Legal Information

Information in this document is provided solely to enable the use of Future Designs, Inc. (FDI) products. FDI assumes no liability whatsoever, including infringement of any patent or copyright. FDI reserves the right to make changes to these specifications at any time, without notice. No part of this document may be reproduced or transmitted in any form or by any means, electronic or mechanical, for any purpose, without the express written permission of Future Designs, Inc. 996 A Cleaner Way, Huntsville, AL 35805.

Microsoft, Windows, Microsoft Word are registered trademarks of Microsoft Corporation. Other brand names are trademarks or registered trademarks of their respective owners.

Printed in the United States of America.

For more information on FDI or our products please visit [www.TeamFDI.com](http://www.TeamFDI.com).

©2020 Future Designs, Inc. All rights reserved.

FDI Document PN: MA00103

Revision: 1.00, 01/12/2021



Important Legal Information.....		2
	Introduction .....	4
	Recommended Accessories (Purchased Separately).....	4
	ESD Warning .....	5
1.0	Determining the Revision of your ELI.....	5
2.0	Technical Specifications .....	6
3.0	Mounting Details.....	7
4.0	Mechanical Details.....	8
5.0	Connectors.....	9
6.0	Power Details .....	10
7.0	Extended Display Information Data (EDID) .....	11
8.0	Brightness Control.....	11
9.0	PWM Control of Backlight .....	11
10.0	Support .....	16
11.0	13.1 Where to Get Help.....	16
12.0	13.2 Useful Links .....	16
13.0		

## Introduction

### About ELI (the Easy LCD Interface)

- 1.0 ELI® is Future Designs, Inc.'s family of long-life, plug-and-play embedded displays. ELI products are true modular embedded display solutions that require no engineering or lead-time. All ELI products are compatible with a wide range of single board computers including Raspberry Pi, Asus Tinker Board and Windows-based units. FDI designed ELI as an embedded display option that requires minimal development time to help customers reach production quickly. Once a product is in production, FDI's minimum 10-year ELI product availability guarantee helps ensure production schedules without the risk of expensive or time-consuming redesigns. Learn more about ELI at [TeamFDI.com/ELI](http://TeamFDI.com/ELI).

### ELI Compatibility

ELI products are compatible with most Single Board Computers (SBCs), PCs and operating systems. See the compatibility tab at <https://www.teamfdi.com/product-details/eli156-iphw> for the results of FDI's compatibility tests with popular operating systems and platforms. Our results, as indicated in the table, demonstrate ELI versatility but the table is not exhaustive. ELI products are designed to work with any single board computer that has an HDMI or DVI output. To submit a question about ELI compatibility with a platform or operating system that is not included in the table, contact a member of the FDI support team at [Support@teamfdi.com](mailto:Support@teamfdi.com).

### Your ELI Experience

- 2.0 Share your experience connecting ELI devices to various SBCs at: <https://www.teamfdi.com/edid/#edidform>.

## Recommended Accessories (Purchased Separately)

- 12V DC +/-10% 3A Power Supply with a center positive barrel plug
  - 2.1mm I.D. x 5.5mm O.D. x 9.5mm
  - All ELI units operate from +12V DC so this is the recommended power supply input voltage for the entire Family.
  - See Section 9.0 for more information on Power Details.
- USB Type A to Mini Type B USB Cable for touch
- USB Type A Male HDMI Cable for video

NOTE: Lengths of the USB and HDMI cables will be determined by the ELI mounting location and position in a user's application.



## ESD Warning



3.0

Figure 1. Electrostatic Sensitive Device

Our ELI units are shipped in a protective anti-static package. Do not subject the module to high electrostatic potentials. Exposure to high electrostatic potentials may cause damage to the boards that will not be covered under warranty. General practice for working with static sensitive devices should be followed when working with this device.

## Determining the Revision of your ELI

4.0

All ELI units have a label placed on the board to identify the part number and revision of the unit. This label will help you quickly identify your ELI part number and revision. An example of an ELI label is shown below.



Figure 2. **ELI Part Number** & **ELI Revision Number**

## Technical Specifications

Table 1. Technical Specifications

5.0

<b>Screen Size:</b>	15.6 inches (diagonal)
<b>Display Technology:</b>	a-Si TFT Active Matrix
<b>Resolution:</b>	1920 x 1080 FHD
<b>Brightness:</b>	1300 nits (typical)
<b>Contrast Ratio:</b>	750:1 (typ)
<b>Aspect Ratio:</b>	16:9
<b>Interface Input Mode:</b>	HDMI
<b>Colors:</b>	16.7M (24 bit)
<b>Horizontal Viewing Angle:</b>	88° L/R SFT (IPS)
<b>Vertical Viewing Angle:</b>	88° U/D (IPS)
<b>Surface:</b>	1.8mm chemically strengthened cover glass
<b>Touch Screen:</b>	Projected Capacitive - PCAP
<b>Touch Screen Interface:</b>	USB
<b>Touch Panel Hardness:</b>	>7H
<b>Touch Panel Force:</b>	N/A
<b>Active Area:</b>	344.16 (W) x 193.59 (H) mm
<b>Backlight Life:</b>	50K hours (min)
<b>Operating Temperature:</b>	-30° to 85° C <sup>1</sup>
<b>Storage Temperature:</b>	-40° to 85° C
<b>Input Voltage:</b>	+12 VDC ± 10%
<b>Power Consumption:</b>	2600mA (typ) / 3100mA (max) @ 12VDC
<b>Backlight Power Consumption:</b>	Up to 93% of Power Consumption
<b>USB Power Consumption:</b>	50mA (typ) / 100mA (max) @ 5.0VDC
<b>RoHS Compliant:</b>	Yes
<b>Dimensions:</b>	392.8 (W) x 250.3 (H) x 18.6 (D) mm
<b>Mounting:</b>	4x M3 Screws
<b>Weight:</b>	1800 grams

Notes:

<sup>1</sup> As measured at LCD's front/rear surfaces including self-heat

## Mounting Details

A 2D Mechanical Drawing of the unit is available on our website under the Documentation tab, <https://www.teamfdi.com/product-details/eli156-iphw#documentation>.

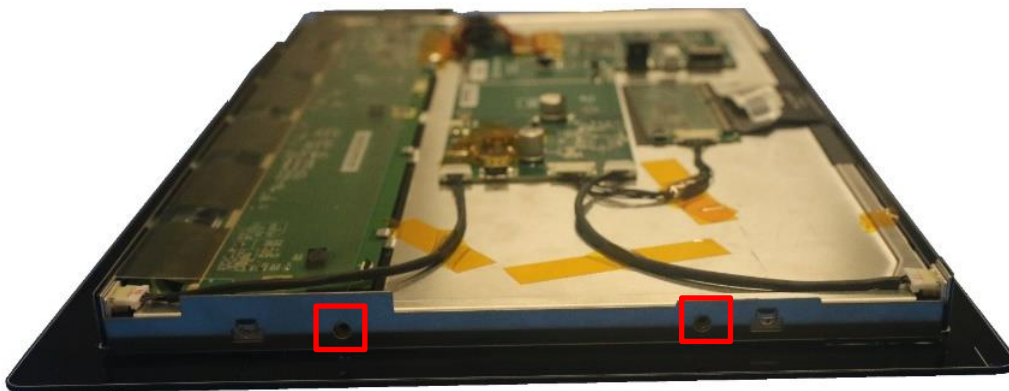
- 6.0** 3D Mechanical Models (in both STEP and EASM format) are available from our website after completing a simple fillable NDA or Non-Disclosure Agreement, <https://www.teamfdi.com/mechanicalmodelrequest>.

The PCAP touch screen is optically bonded to the display in an industry standard and highly reliable manner. However, it is not designed to carry the weight of the entire unit (plus stress from cable pull) when the ELI156-IPHW is mounted in a flat or downward mounting configuration. Placed on each side of the ELI156-IPHW are 2 mounting screw terminals that can provide an easy mounting interface.

The torque for M3 size product mounting screws must never exceed 0.230N•m. Higher torque might result in distortion of the bezel. The insertion length of product mounting screws must be  $\leq 2.5$ mm.

The product must be installed using mounting holes without undue stress such as bends or twists and do not add undue stress to any portion (such as the bezel flat area). Bends and twists described above and undue stress to any portion may cause display irregularities.

The ideal recommended installation has plane “A” defined by one mounting hole (datum point), and referenced to the other mounting holes, this ideal plane should be within + or – 0.3mm.



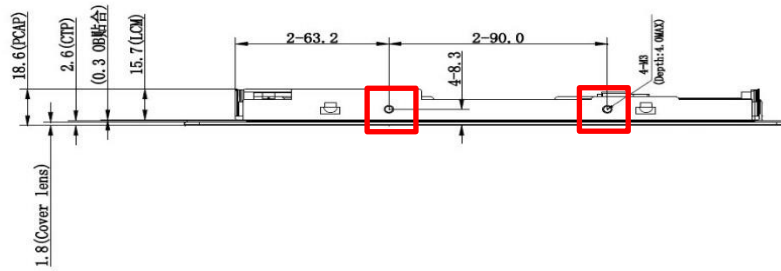
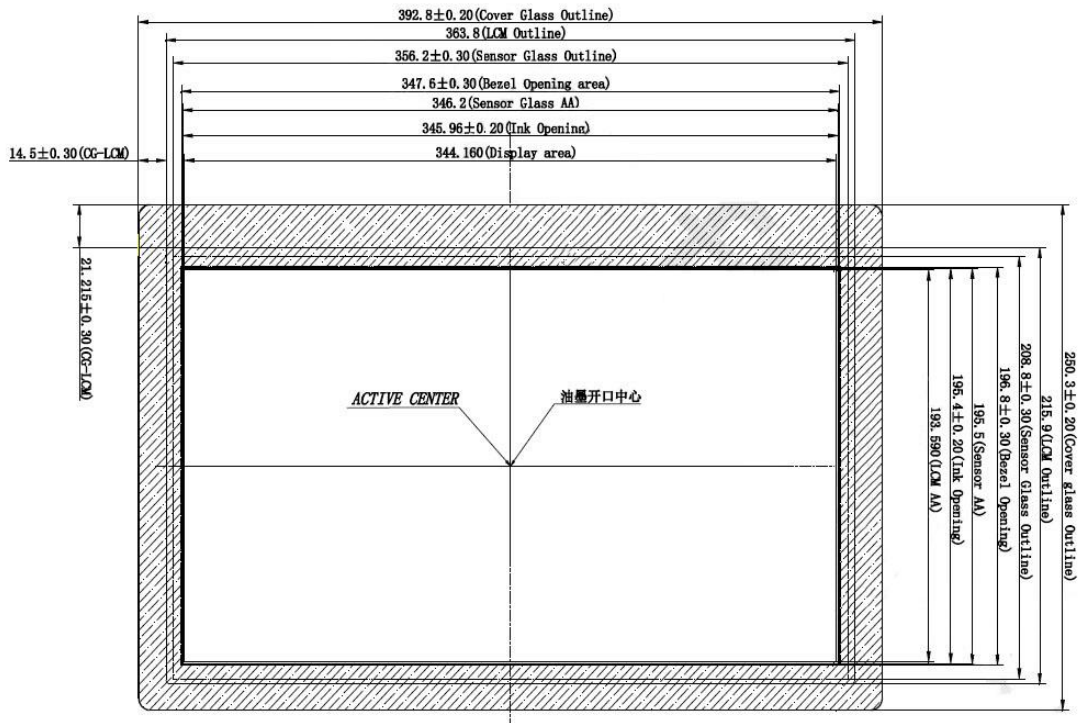


Figure 3. ELI156-IPHW Mounting Locations

## Mechanical Details

### 7.0





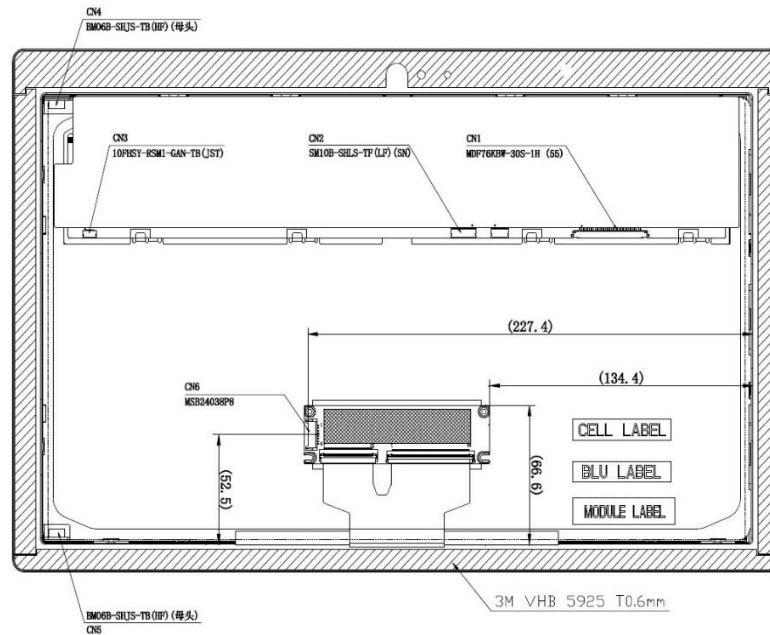


Figure 4. Dimensions of the ELI156-IPHW

## 8.0 Connectors

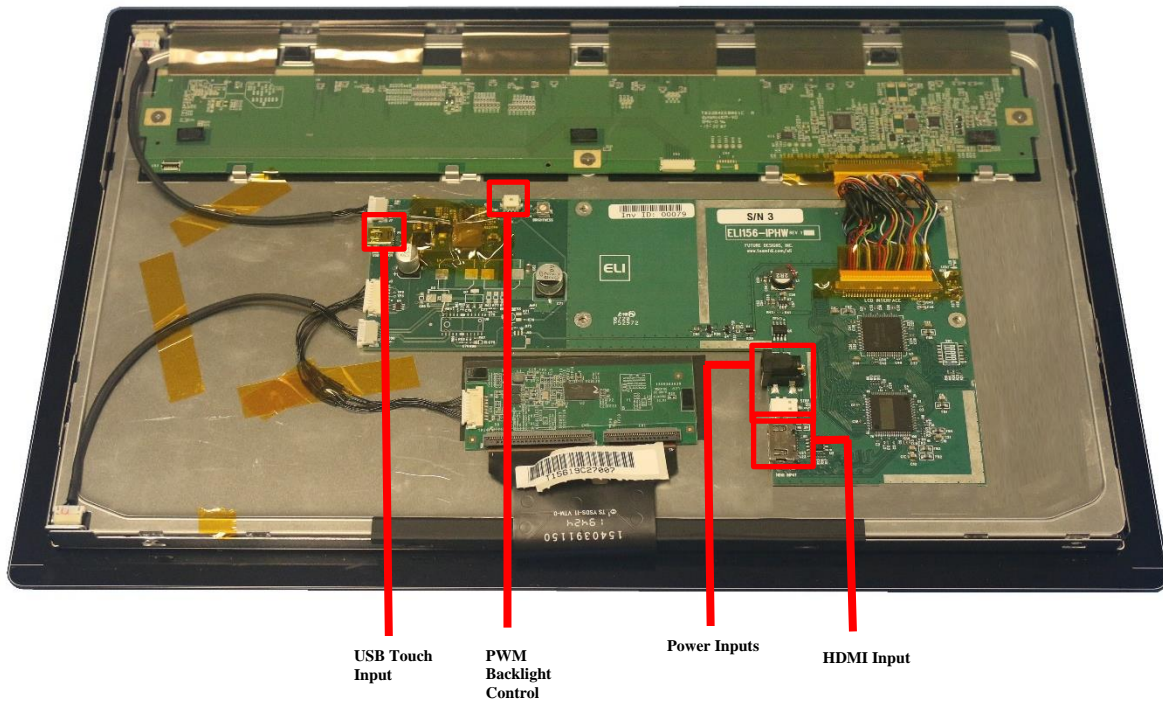


Figure 5. ELI156-IPHW Connectors

## Power Details

9.0

A 12VDC +/- 5% power supply with a 3.0A output will power any board from the ELI Family. This allows a common, off-the-shelf power supply such as the [T1099-P5P-ND](#) to be used for quick demos or prototyping across the entire ELI Family. In general, any 12VDC power supply with a 2.1mm center positive plug will be acceptable if it can provide enough current to power the ELI unit being used. On the ELI156-IPHW plug power into the DC input barrel plug (P2).

In cases where the barrel connector is not desired, you can use the alternate power input connector (J5) which supports directly plugging in 20-26 AWG wire with maximum 5A current per contact. The datasheet for this J5 connector (PCB terminal block - PTSM 0,5/ 2-2,5-H SMD WH R24 – 1814634) can be found at <https://tinyurl.com/1814634>.

To verify that the ELI156-IPHW unit is correctly powered you may check the 12VDC input with a Fluke meter or scope by probing the +12V and GND contacts shown below. Please verify that the 12VDC is present, is within the +/- 10% tolerance and is free from excessive noise or AC ripple.

Once the HDMI cable has been plugged in, the LCD PWR LED (LED1) will illuminate orange to indicate that power is applied, and an HDMI signal has been received by the ELI unit. However, this does not indicate that the HDMI signal is valid for the resolution of the ELI156-IPHW, just that the HDMI signal is present.

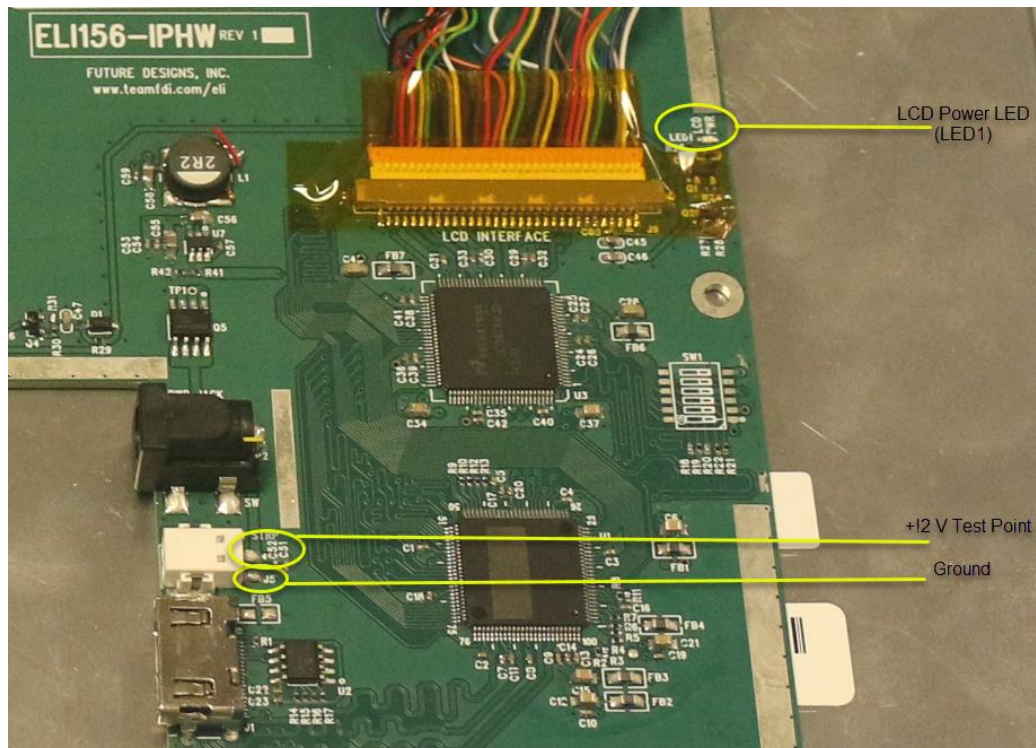


Figure 6. LCD Power LED and 12V Test Points

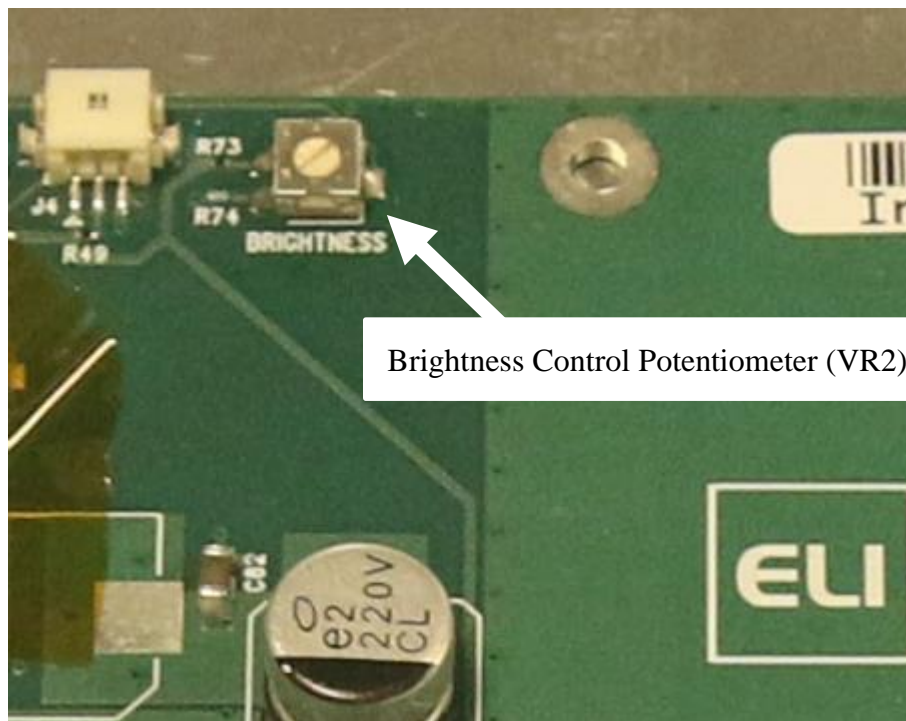
## Extended Display Information Data (EDID)

ELI uses Extended Display Identification Data (EDID) for automatic configuration with many operating systems. You can find out more on our website at <https://www.teamfdi.com/edid/>.

### 10.0 Brightness Control

The ELI156-IPHW contains a Brightness Control potentiometer (VR2) on the backside of the board, see Figure 7. Using this pot, you can set the default “Factory” brightness of the LCD Backlight.

- 11.0 Turning the pot fully clockwise results in maximum brightness of the display. Turning the pot counterclockwise will reduce the brightness and then turn the backlight off.



Brightness Control Potentiometer (VR2)

12.0 Figure 7. Brightness Control Potentiometer (VR2)

## PWM Control of Backlight

ELI provides an input for an external processor or SBC to control the brightness of the display backlight, see Figure 8. Changing the backlight brightness also changes the total ELI power consumption (the display backlight is typically one of the larger sources of power consumption in the unit). PWM dimming is an input with a 0 to 3.3 VDC range and the user should drive this with a push-pull type output or a suitable open collector output.

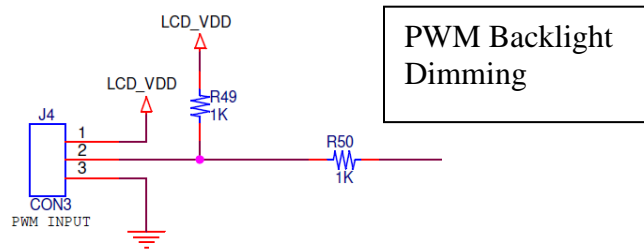


Figure 8. Backlight Control

To control the display backlight, the user should connect an externally generated Pulse Width Modulated (PWM) signal to J4 pin 2 along with a common ground to J4 pin 3. The frequency range for this signal is from 100Hz to 2KHz. **Error! Reference source not found.** shows the brightness (nits) of ELI156-IPHW based on the input duty cycle.

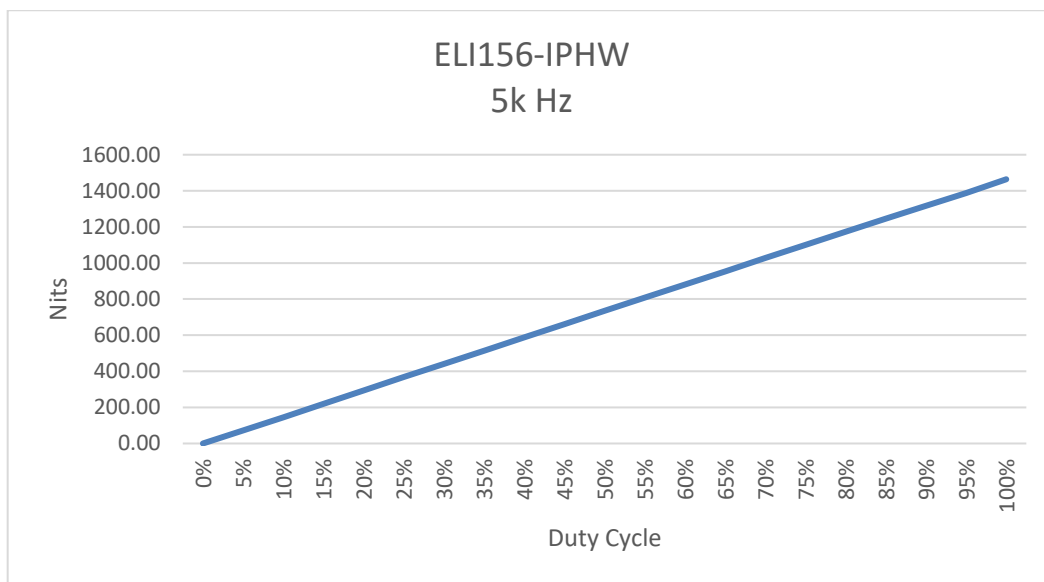


Figure 9. ELI156 IPHW Backlight Curve in Nits

**Note: Pot VR2 has no effect while a PWM input signal is applied. The PWM input signal overrides the VR2 pot setting.**

ELI backlight properties vary between models, so the user should test their model for an acceptable range of brightness control. For example, your 0 to 100% brightness range may be 40% to 90% of the PWM range. In certain installations, a series resistor on J4 pin 2 may be required to ensure a clean PWM signal to the ELI. The suggested value for the resistor is 100ohms. See Figure 10 below, for an example of connectivity. Actual testing in your installation may require this resistor be changed, or possibly not required at all.

On the ELI unit, the PWM dimming signal is pulled up between 1.49V and 0.487 volts. This is controlled by the Linear Brightness Control Potentiometer (VR2), detailed in Section 11.0.

If you provide NO PWM signal to VLED\_PWM (J4 pin 2), ELI will provide 100% backlight power to the display (with the default potentiometer setting of 100%). The potentiometer setting can be overdriven by the push-pull PWM input on J4-2, so the external SBC can always maintain control of the backlight brightness across the full range. The potentiometer can be used to set a default backlight brightness level that is used until the SBC has time to boot up and set the desired brightness level via PWM output. This feature can also be used to “blank” the display during boot-up in cases where the default BIOS settings are not compatible with ELI. This prevents the screen from showing incorrect images until the SBC has time to boot and read EDID or set the correct video timings for the ELI156-IPHW.

The output at pin 1 of J4 is 3.3VDC  $\pm$  5%. If the external system is capable of directly driving the PWM dimming signal at 3.3VDC, there is no need to connect pin 1 to the cable. ELI provides the 3.3 VDC signal for the external system in case this voltage is needed to generate the correct levels on the PWM VLED\_PWM Input.

The J4 mating connector information is provided below:

- Manufacturer: Hirose
- Part Number: DF12-3S-1.25C
- Digi-Key Link: <https://www.digikey.com/products/en?keywords=H2180-ND>
- Pre-terminated wires <https://www.digikey.com/en/products/detail/jst-sales-america-inc/ASPHSPH24K51/6009457>

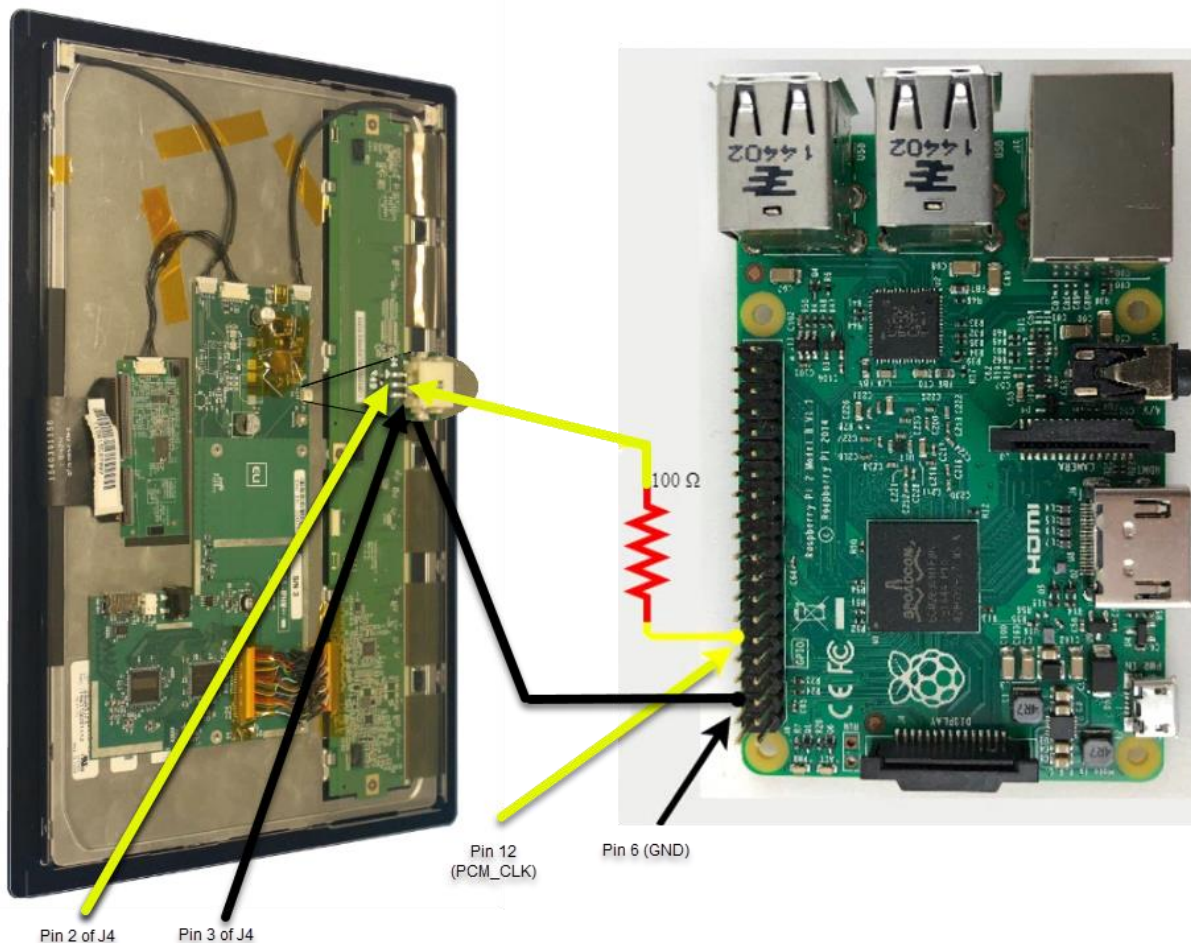


Figure 10. Raspberry Pi Signal and Ground

The ELI backlight can be controlled from a Raspberry Pi. See Figure 10 for a wiring diagram. Our software is available on the FDI website at <https://www.teamfdi.com/product-details/eli156-iphw#software> or you may copy the code from here:

```

/* Changes brightness of ELI backlight given a command line argument between 0 and
the set range. Uses bcm2835 header file provided by Broadcom at
https://www.airspayce.com/mikem/bcm2835/bcm2835-1.52.tar.gz This source code must be
compiled using "g++ brightness.cpp -o brightness -l bcm2835" in order to properly
link the header file. Must be run using sudo, accessing GPIO pins requires root
permissions. After compiling, you may add executable to "/usr/bin" which allows you
to type "sudo brightness <value>" to change brightness anywhere in terminal. The
"/boot/config.txt" file must also be changed by adding a "#" before the line
"dtparam=audio=on". This disables audio output from the Raspberry Pi. If this is
not disabled then anytime sound is output the screen will return to 100%
brightness.
*/

```

```

#include<iostream>
#include<bcm2835.h>

```

```

#include<string>

using namespace std;

#define LED RPI_GPIO_P1_12 // PWM pin number for backlight control
#define RANGE 20 // Range for PWM steps
#define CLOCK 1920 // Clock rate

int main(int argc, char *argv[]){

    int data = 0; // Brightness level

    if(argc != 2){ // Give user correct usage if ran incorrectly
        cout << "Error: correct usage, brightness <value>" << endl;
        return 1;
    }

    data = stoi(argv[1]);

    if(data > RANGE || data < 0){
        cout << "Error: brightness value must be between 0 and " << RANGE << endl;
        return 1;
    }

    if(!bcm2835_init())
        return 1;

    bcm2835_gpio_set_pad(BCM2835_PAD_GROUP_GPIO_0_27, BCM2835_PAD_DRIVE_2mA); //
Sets the drive current to 2mA
    bcm2835_gpio_fsel(LED, BCM2835_GPIO_FSEL_ALT5); // Sets up pin 18 for alt5 pwm
mode

    bcm2835_pwm_set_clock(CLOCK); // Sets pwm clock to 19.2 MHz / CLOCK
    bcm2835_pwm_set_mode(0,1,1); // Sets mode to markspace
    bcm2835_pwm_set_range(0,RANGE); // Sets range
    bcm2835_pwm_set_data(0,data); // Sets data rate to argument value

    bcm2835_close();
    return 0;
}

```

Figure 11. Backlight Control Using Raspberry Pi

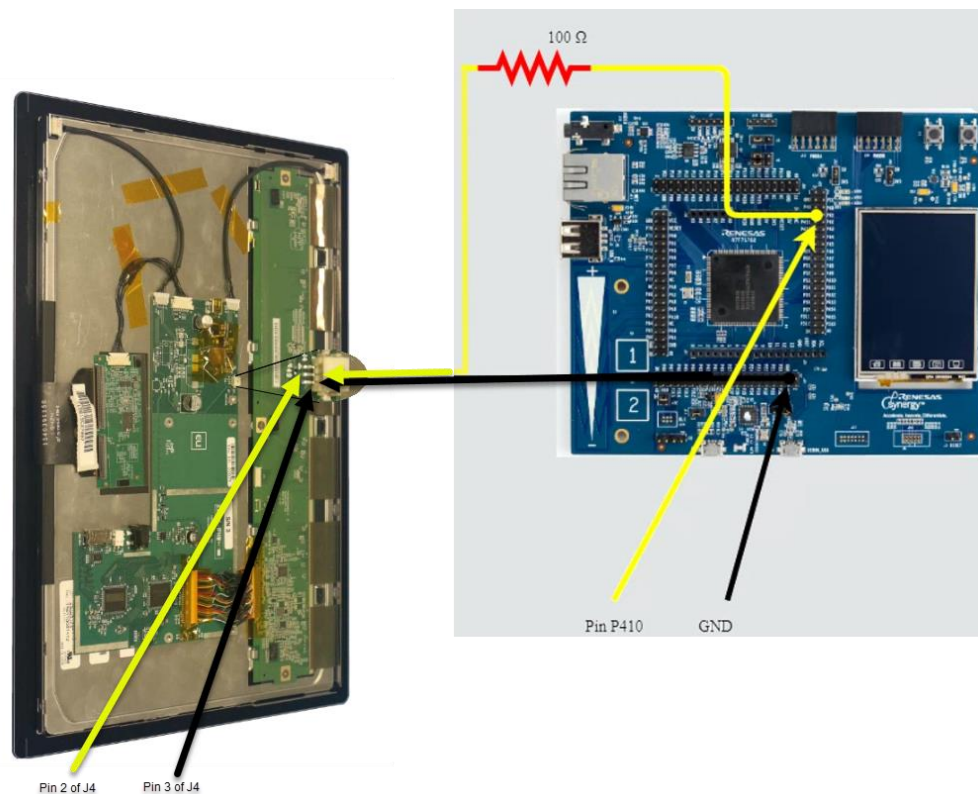


Figure 12. Renesas Synergy S7G2 Signal and Ground

Another example of backlight control using a microcontroller is Renesas Synergy S7G2 wired as shown in Figure 12. The software for Synergy can be found on our website at <https://www.teamfdi.com/product-details/eli156-iphw#software>.

## 13.0

### Support

#### 13.1 Where to Get Help

Online technical support is available at <https://www.teamfdi.com/support/>

#### 13.2 Useful Links

- Future Designs, Inc. Forums: <https://www.teamfdi.com/forums>
- ELI156-IPHW Product Page: <https://www.teamfdi.com/product-details/eli156-iphw>
- ELI Software User's Manual: <https://www.teamfdi.com/wp-content/uploads/ELI-Software-Users-Manual.pdf>
- Tell us about your ELI experience: <https://www.teamfdi.com/edid/#edidform>
- EDID Information Page: <https://www.teamfdi.com/edid/>