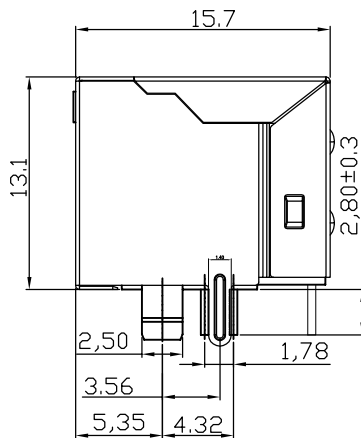
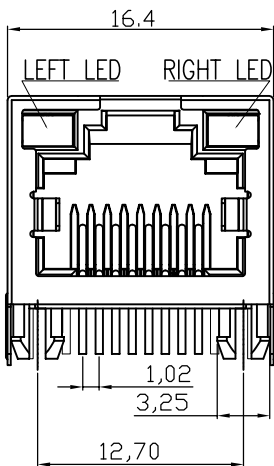
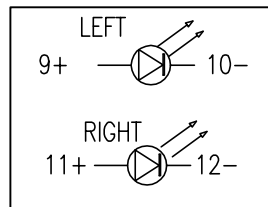


焊脚尺寸以顺畅过孔规为准

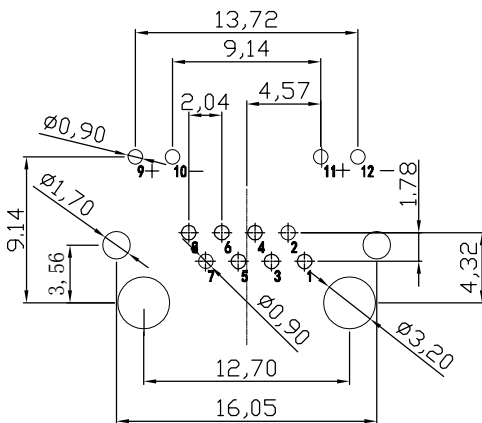
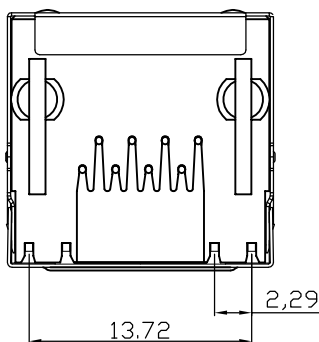


NOTES

- MATERIAL**
- 1. HOUSING MATERIAL : GLASS FILLED POLYESTER UL94V-0.
 - 2. CONTACT MATERIAL : PHOSPHOR BRONZE $\phi 0.46\text{mm}$.
 - 3. PLATING : GOLD FLASH PLATING OVER NICKEL.
 - 4. SHIELD : BRASS TO.20mm 40u" NICKEL PLATED.
- ELECTRICAL**
- 1. VOLTAGE RATING : 125 VAC RMS.
 - 2. CURRENT RATING : 1.5 AMP.
 - 3. CONTACT RESISTANCE : 40 MILLIOHMS MAX.
 - 4. INSULATION RESISTANCE : 500 MEGOHMS MIN @ 100V DC .
 - 5. DIELECTRIC DIELECTRIC RESISTANCE : 500V DC RMS 50Hz. 1MIN.

- MECHANICAL**
- 1. DURRABILITY : 750 CYCLES MIN.
 - 2. MATING/UNMATING FORCE: 2.24 KG. F MAX.

- ENVIRONMENTAL:**
- 1. STORAGE : -40°C ~ +85°C.
 - 2. OPERATION : -40°C ~ +85°C.



PCBLAYOUT

TOL:±0.05

3202 - 0 07 - XX

系列码
RJ45 56型
类别码
07:B型无弹左黄右绿
流水码
24:2.8脚-0.5u"淡 PBT黑 盘装

				OPERATION	SCALE	Fit	Yxcon 东莞市宇熙精密连接器有限公司 www.yxcon.com Dongguan Yuxi Electronic Co.,Ltd.			
				X.X ±0.35	UNIT	MM				
				X.XX ±0.25	SIZE	A4	DESIGN	赵文品2024.11.06	PART NO	RJ45-3202-007-24
				X.XXX ±0.05	SHEET	1/1	CHECK		TITLE	RJ45 56B型无弹左黄右绿DIP -0.5u "淡 PBT黑
				Angle ±2°	PROJ.	APPROVE			Customer No.	
REV	DATE	SYMBOL	MODIFICATION DESCRIPTION							