

1-324227-0 ✓ ACTIVE

PLASTI-GRIP

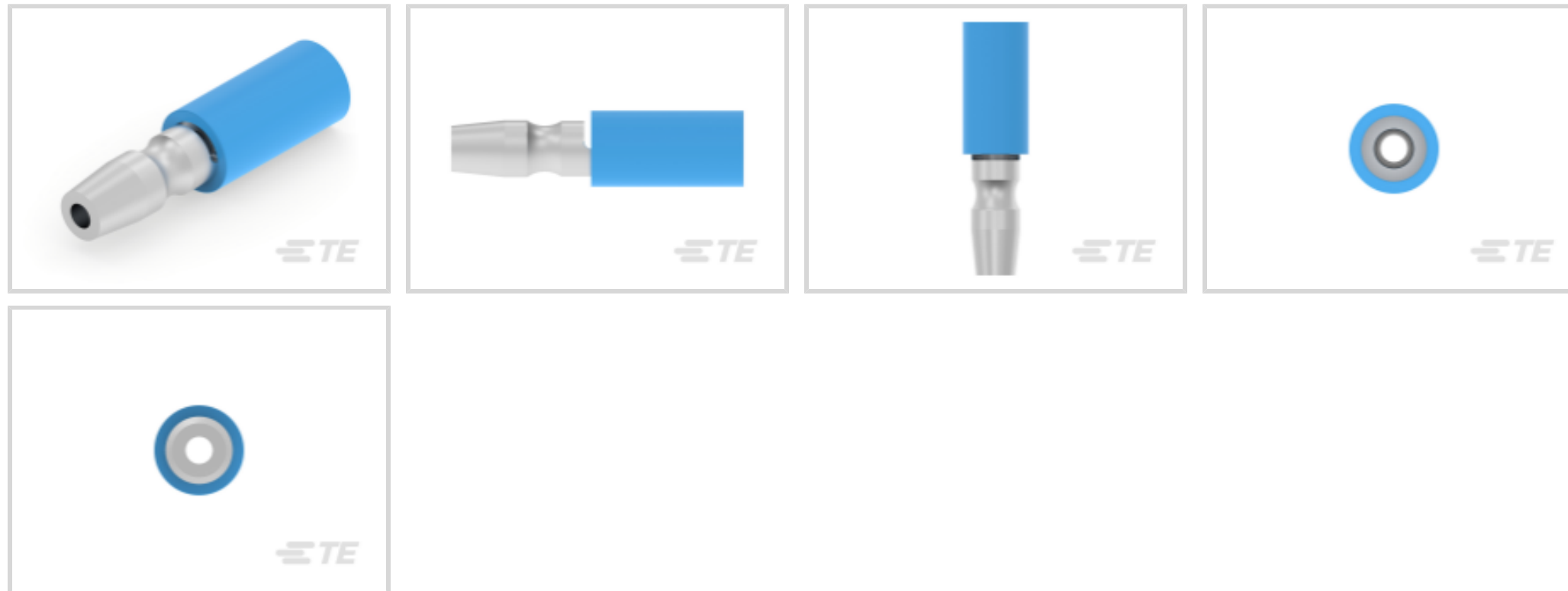
TE Internal #: 1-324227-0

Crimp Wire Pins, Tabs & Ferrules, Shur-Plug, Mating Tab Width 20.32 mm, Mating Tab Thickness .84 mm [.033 in], PLASTI-GRIP

[View on TE.com >](#)



Terminals & Splices > Crimp Wire Pins, Tabs & Ferrules



Crimp Wire Terminal Type: **Shur-Plug**

Mating Tab Width: **20.32 mm**

Mating Tab Thickness: **.84 mm [.033 in]**

Mating Pin Diameter: **4.09 mm [.161 in]**

Compatible Insulation Diameter Range: **3 – 4.9 mm, 4.9 mm [.118 – .193 in, .193 in]**

Features

Product Type Features

Sealable	No
Compatible With Discrete Wire Type	Solid, Stranded
Wire Insulation Support Retention Type	Insulation Support

Configuration Features

Compatible With Wire & Cable Type	Discrete Wire
-----------------------------------	---------------

Body Features

Insulation Material	Vinyl
Primary Product Color	Blue

Contact Features

Contact Fabrication	Stamped & Formed
Crimp Wire Terminal Type	Shur-Plug
Mating Tab Width	20.32 mm
Mating Tab Thickness	.84 mm [.033 in]
Mating Pin Diameter	4.09 mm [.161 in]



Barrel Type	Closed
Terminal Plating Material	Tin
Contact Shape & Form	Round
Terminal Orientation	Straight

Mechanical Attachment

Wire Insulation Support	With
-------------------------	------

Dimensions

Compatible Insulation Diameter Range	3 – 4.9 mm, 4.9 mm [.118 – .193 in][.193 in]
Wire Size	2050 – 5180 CMA
Terminal Material Thickness	.79 mm [.031 in]
Overall Product Length	20.32 mm [.8 in]

Usage Conditions

Insulation Option	Partially Insulated
Operating Temperature Range	105 °C [221 °F]

Packaging Features

Packaging Method	Tape Mounted
------------------	--------------

Other

Terminals & Splices Comment	Not UL or CSA Approved or Listed.
-----------------------------	-----------------------------------

Product Compliance

[For compliance documentation, visit the product page on TE.com>](#)

EU RoHS Directive 2011/65/EU	Compliant
EU ELV Directive 2000/53/EC	Compliant
China RoHS 2 Directive MIIT Order No 32, 2016	No Restricted Materials Above Threshold
EU REACH Regulation (EC) No. 1907/2006	Current ECHA Candidate List: JUNE 2023 (235) Candidate List Declared Against: JUNE 2023 (235) Does not contain REACH SVHC
Halogen Content	Not Low Halogen - contains Br or Cl > 900 ppm.
Solder Process Capability	Not applicable for solder process capability

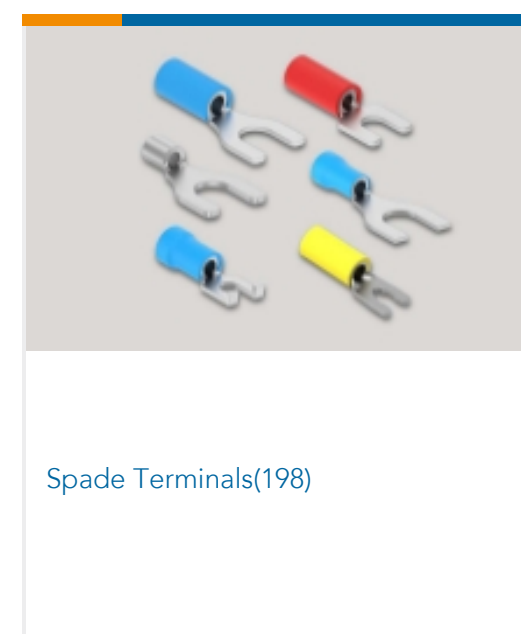
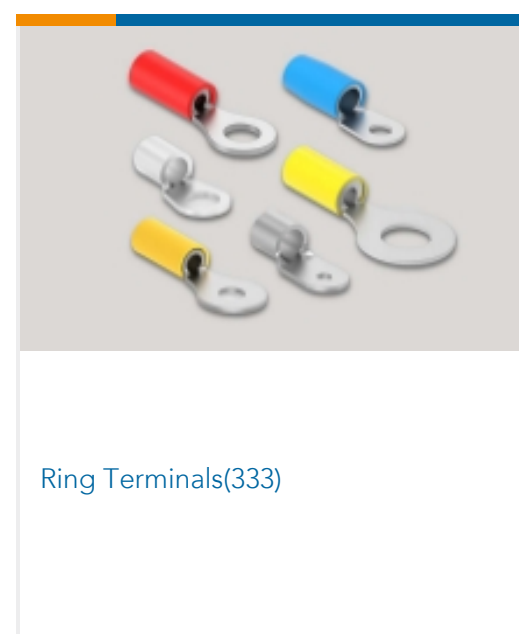
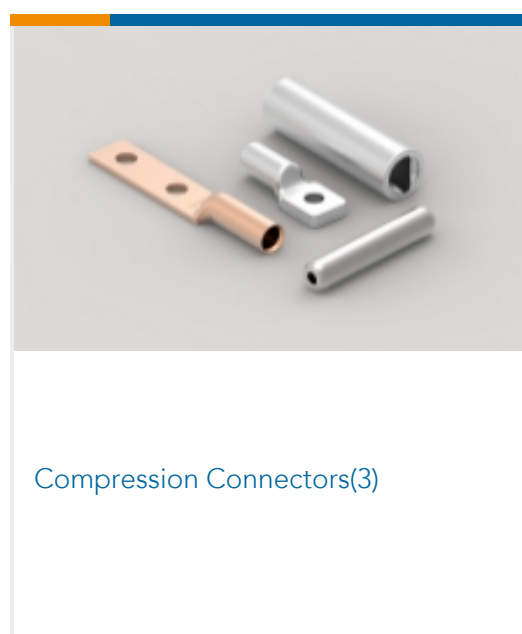
Product Compliance Disclaimer

This information is provided based on reasonable inquiry of our suppliers and represents our current actual knowledge based on the information they provided. This information is subject to change. The part numbers that TE has identified as EU RoHS compliant have a maximum concentration of 0.1% by weight in homogenous materials for lead, hexavalent chromium, mercury, PBB, PBDE, DBP, BBP, DEHP, DIBP, and 0.01% for cadmium, or qualify for an exemption to these limits as defined in the Annexes of Directive 2011/65/EU (RoHS2). Finished electrical and electronic equipment products will be CE marked as required by Directive 2011/65/EU. Components may not be CE marked. Additionally, the part numbers that TE has identified as EU ELV compliant have a maximum concentration of 0.1% by weight in homogenous materials for lead, hexavalent chromium, and mercury, and 0.01% for cadmium, or qualify for an exemption to these limits as defined in the Annexes of Directive 2000/53/EC (ELV). Regarding the REACH Regulation, the information TE provides on SVHC in articles for this part number is based on the latest European Chemicals Agency (ECHA) 'Guidance on requirements for substances in articles' posted at this URL: <https://echa.europa.eu/guidance-documents/guidance-on-reach>

Compatible Parts



Also in the Series | PLASTI-GRIP






Splices(50)

Customers Also Bought



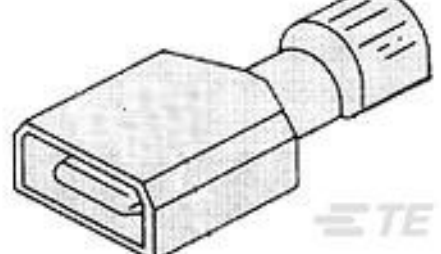
TE Part #1062-16-0122
DEUTSCH Size 16 Crimp Contacts



TE Part #5205817-3
FEMALE SCREWLOCK KIT



TE Part #1-66105-8
III+ SKT,24-20,30AU/FL,SMPACK



TE Part #2-520103-2
ULTRA-FAST 250 ASSEMBLY TAB 22-18 AWG BR



TE Part #2-34123-1
TERMINAL,SOLIS R 16-14 10



TE Part #3-350819-2
ULTRA-FAST 250 ASY REC 16-14 AWG TPBR



TE Part #2-520183-2
ULTRA-FAST 250 ASY REC 22-18 TPBR



TE Part #1-66103-7
III+ PIN,24-20, 30AU/SN,SMPACK



TE Part #3-520106-2
ULTRA-FAST 250 ASY TAB 16-14 AWG TPBR

Documents

Product Drawings

[PG SHUR PLUG 16-14](#)

English

CAD Files

Customer View Model

[ENG_CVM_1-324227-0_E.3d_igs.zip](#)

English

Customer View Model



[ENG_CVM_1-324227-0_E.3d_stp.zip](#)

English

Customer View Model

[ENG_CVM_1-324227-0_E.2d_dxf.zip](#)

English

3D PDF

English

3D PDF

3D

Customer View Model

[ENG_CVM_CVM_1-324227-0_M.2d_dxf.zip](#)

English

Customer View Model

[ENG_CVM_CVM_1-324227-0_M.3d_igs.zip](#)

English

Customer View Model

[ENG_CVM_CVM_1-324227-0_M.3d_stp.zip](#)

English

By downloading the CAD file I accept and agree to the [Terms and Conditions](#) of use.

Datasheets & Catalog Pages

[PLASTI GRIP_QRG](#)

English

[Standard Terminals & Splices](#)

English

Product Specifications

[Application Specification](#)

English