

THIS DRAWING IS UNPUBLISHED.

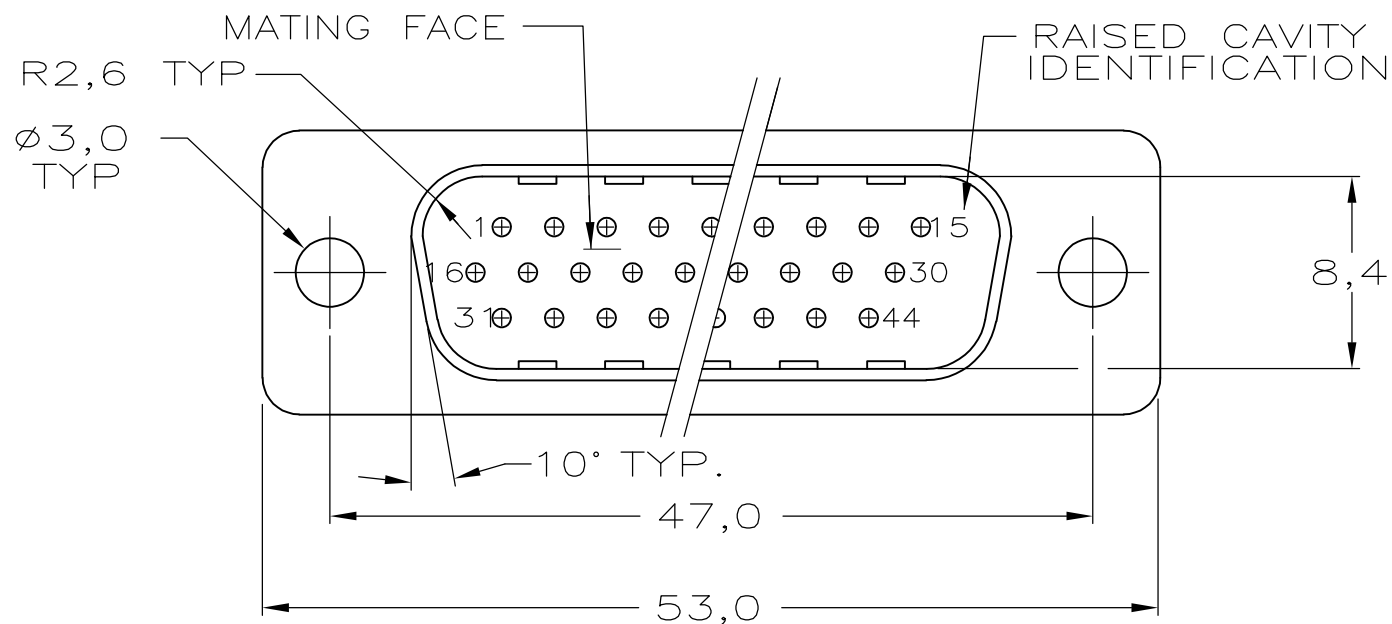
RELEASED FOR PUBLICATION

ALL RIGHTS RESERVED.

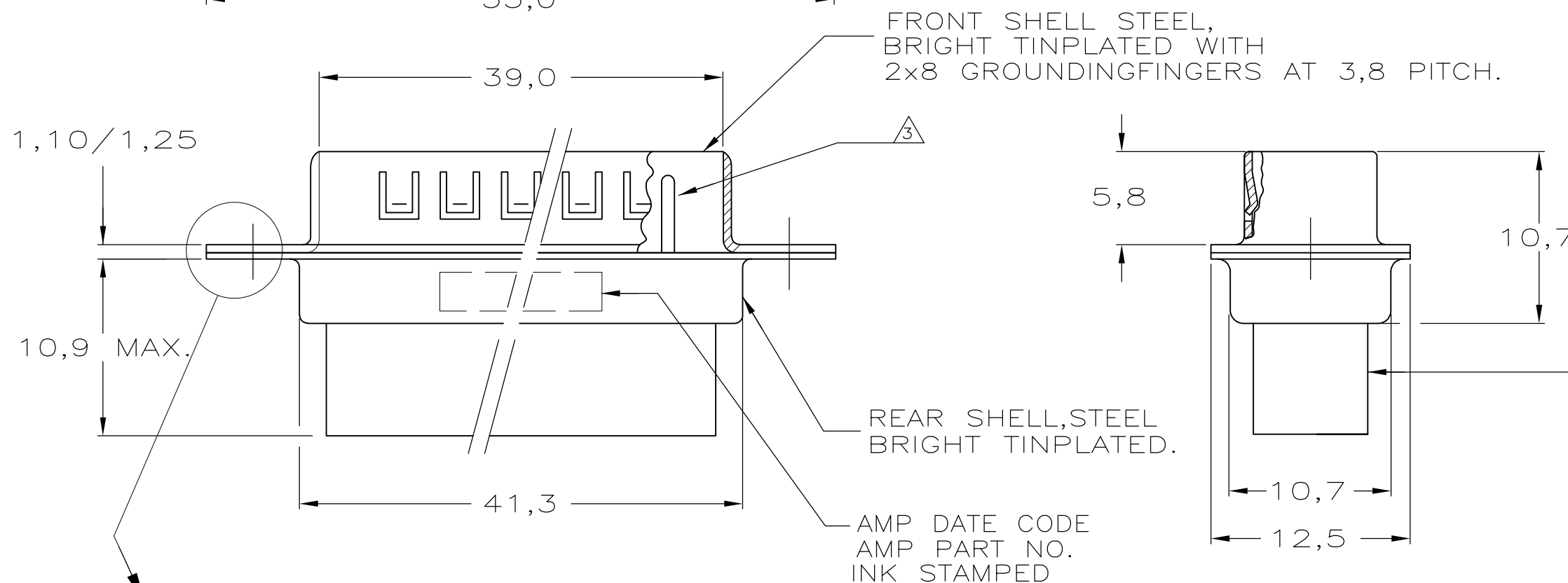
© COPYRIGHT - By -

REVISIONS

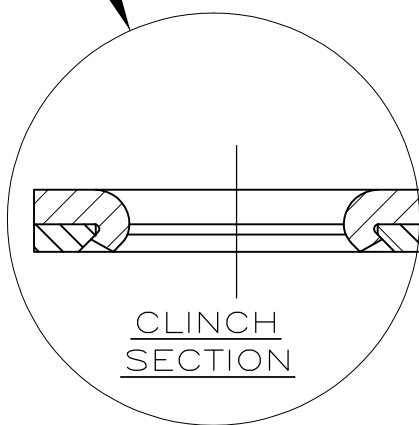
P	LTR	DESCRIPTION	DATE	DWN	APVD
	D	REVISED PER ECO-16-001693	25AUG2016	AP	DG



- 1 THIS PLUG ACCEPTS SIZE 22 PIN CONTACTS
- 2 RETENTION TINES ARE AN INTEGRAL PART OF INSERT.
- 3 CONTACTS SHOWN FOR ILLUSTRATION ONLY, NO PART OF CONNECTOR PACKAGE, MUST BE ORDERED SEPARATELY.
- 4 CONTACT INSERTION/REMOVAL TOOL AMP P.N. 91285-1 IS RECOMMENDED FOR USE WITH THESE CONNECTORS



INSERTS: NYLON
GLASS-FILLED
SELF-EXTINGUISHING
COLOR: BLACK



2196156-1 AS SHOWN

THIS DRAWING IS A CONTROLLED DOCUMENT.		DWN J. v. LIEMPT 06DEC1988	TE Connectivity NAME HDP-22 PLUG CONNECTOR, SIZE 3, (44 POSITION)		
DIMENSIONS: mm		CHK -			
TOLERANCES UNLESS OTHERWISE SPECIFIED:		APPLICATION SPEC -			RESTRICTED TO -
0 PLC ± - 1 PLC ± - 2 PLC ± - 3 PLC ± - 4 PLC ± - ANGLES ± -		WEIGHT 0.000000	SIZE A3	CAGE CODE 00779	DRAWING NO C-216156
MATERIAL -		CUSTOMER DRAWING			SCALE NTS
FINISH -		SHEET 1 OF 1			REV D

Mouser Electronics

Authorized Distributor

Click to View Pricing, Inventory, Delivery & Lifecycle Information:

[TE Connectivity:](#)

[216156-1](#)