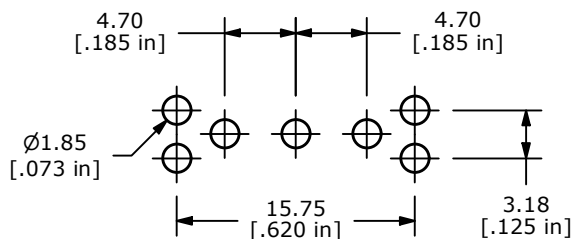


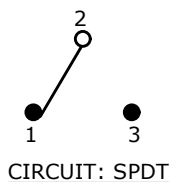
RECOMMENDED PANEL MOUNTING

▲ SWITCH FUNCTION		
POS. 1	POS. 2	POS. 3
(ON)	OFF	(ON)
2-3	OPEN	2-1

( ) = DENOTES MOMENTARY

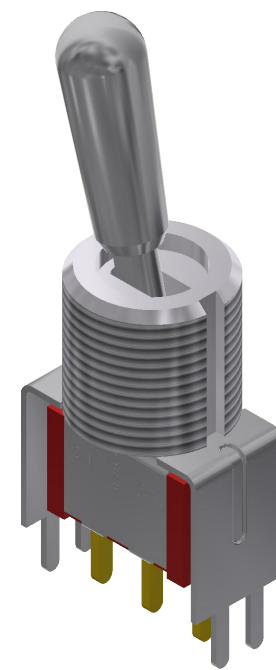
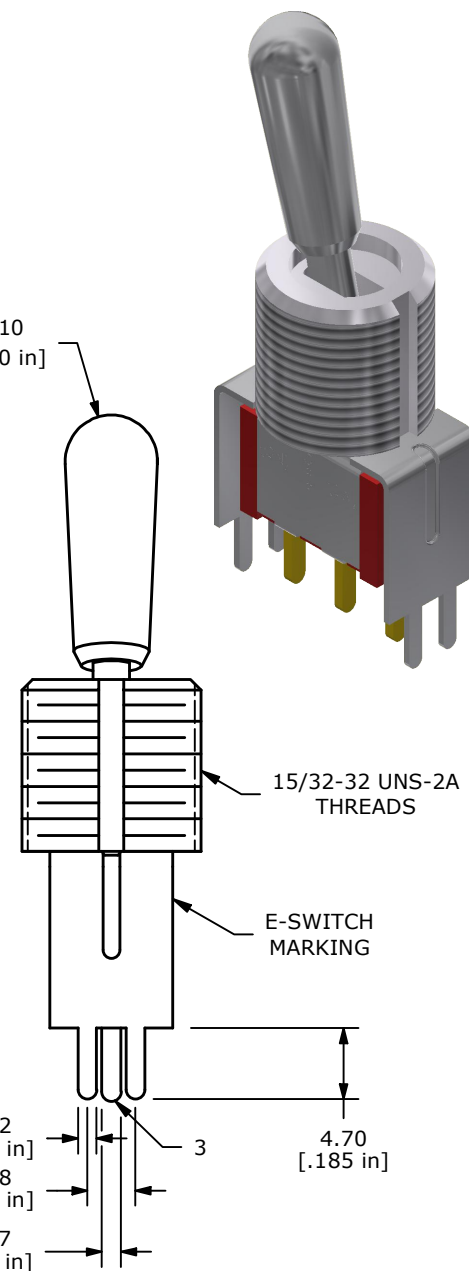
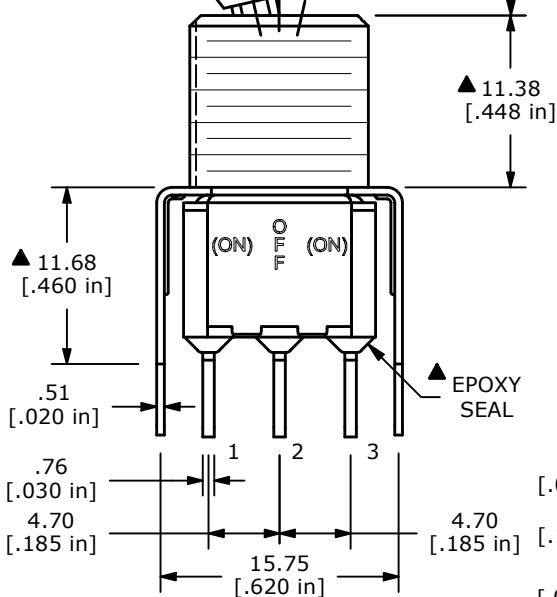
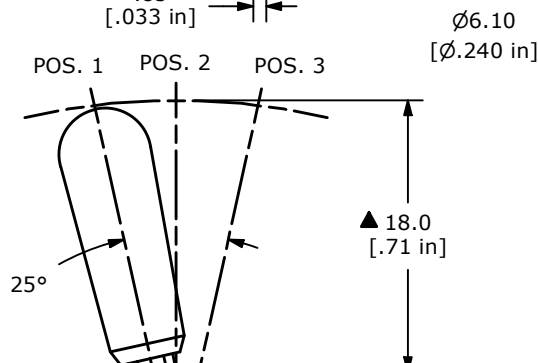
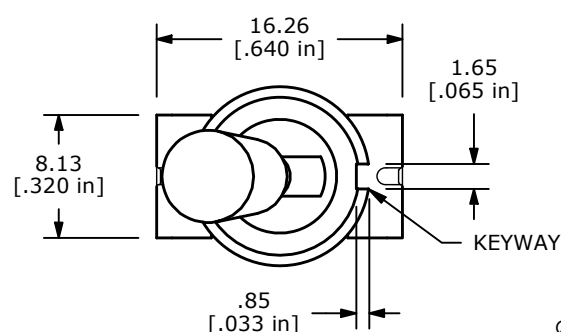


RECOMMENDED PCB LAYOUT



NOTE:

1. ALL DIMENSIONS IN MM [INCH]
2. GENERAL TOLERANCE: X.X=±0.4  
X.XX=±0.25
3. TERMINAL NUMBERS FOR REF ONLY
- ▲ 4. CONTACT MATERIAL: GOLD
5. RATING: 0.4 VOLT-AMPS (VA) MAX. @ 20V MAX. (AC OR DC)
6. ELECTRIC LIFE: 6,000 MAKE-AND-BREAK CYCLES AT FULL LOAD.
7. INSULATION RESISTANCE: 1,000 MEGA-OHM MIN.
8. DIELECTRIC STRENGTH: 1,000 V RMS @SEA LEVEL.
9. OPERATING TEMP.: -40°C TO 85°C
10. ▲ DENOTES CRITICAL PARAMETER.



REV	ECO NO	DESCRIPTION	DATE	BY
D	ECO-102350	100 SERIES UPDATE	01/10/24	MR



OBJECT ID  
000024090

TITLE 100SP4T8B13VS2RE				
SCALE 2:1	DATE 10/31/2005	DR PH	DWG T114045	REV D

# Mouser Electronics

Authorized Distributor

Click to View Pricing, Inventory, Delivery & Lifecycle Information:

[E-Switch:](#)

[100SP4T8B13VS2RE](#)