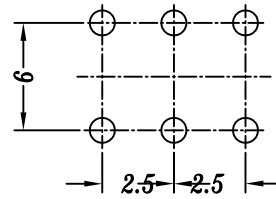
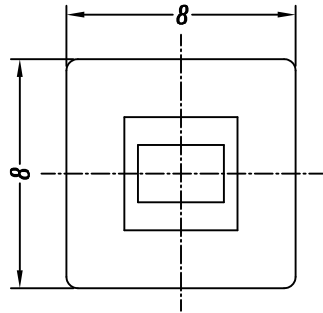
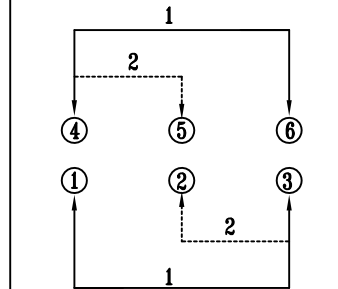


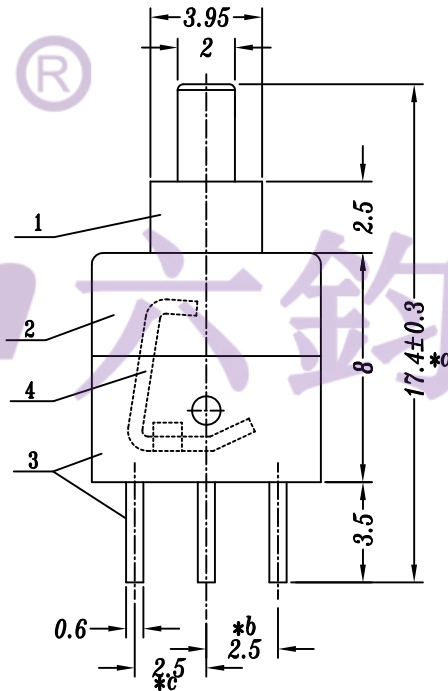
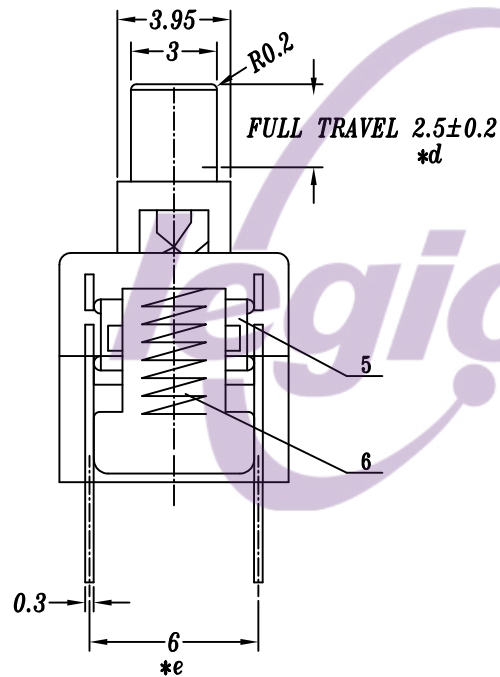
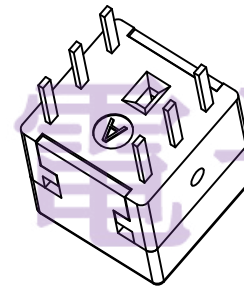
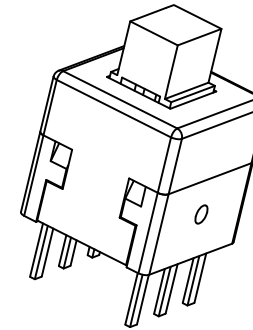
HAOYU



P.C.B LAYOUT



SCHEMATIC



技术要求:

1. 使用温度范围: -30~+70°C
2. 耐压: AC500V (50Hz)/min
3. 额定负荷 : DC12V 0.3A
4. 动作力: 180±50GF , 250±50GF, 350±50GF, 500±100GF
5. 接触电阻: ≤100mΩ
6. 绝缘电阻 : ≥100MΩ
7. 寿命: 10000次

					TOLERANCE UNLESS SPECIFIED							
NO.	PART NAME	MATERIAL	QTY	FINISHING	UP TO 5mm: ±0.1	ANGULAR ±1°	A0	2019.07.01	REVISIONS		BY	APPD
6	PB22E80 SPRING	SUS	1	NATURAL	ABOVE 5mm: ±0.2		NO	DATE				
5	PB22E80 CONTACT	PBS	2	Ag PLATING	TITLE: PUSH BUTTON SWITCH		UNIT : MM	ROHS COMPLIANT	DWN			
4	PB22E80 CAM STICK	SUS	1	NATURAL	MODEL: PB-22E82-S-G		SCALE: 1:1	CHK'D				
3	PB22E81 BASE	PA66+30%GF/BRASS	1	BLACK/Ag PLATING	东莞市六钧电子五金有限公司		APPD		PRO.AGL:		REV :A0	
2	PB22E80 COVER	PA66	1	WHITE								
1	PB22E82 KNOB	PA66+30%GF	1	BLUE								