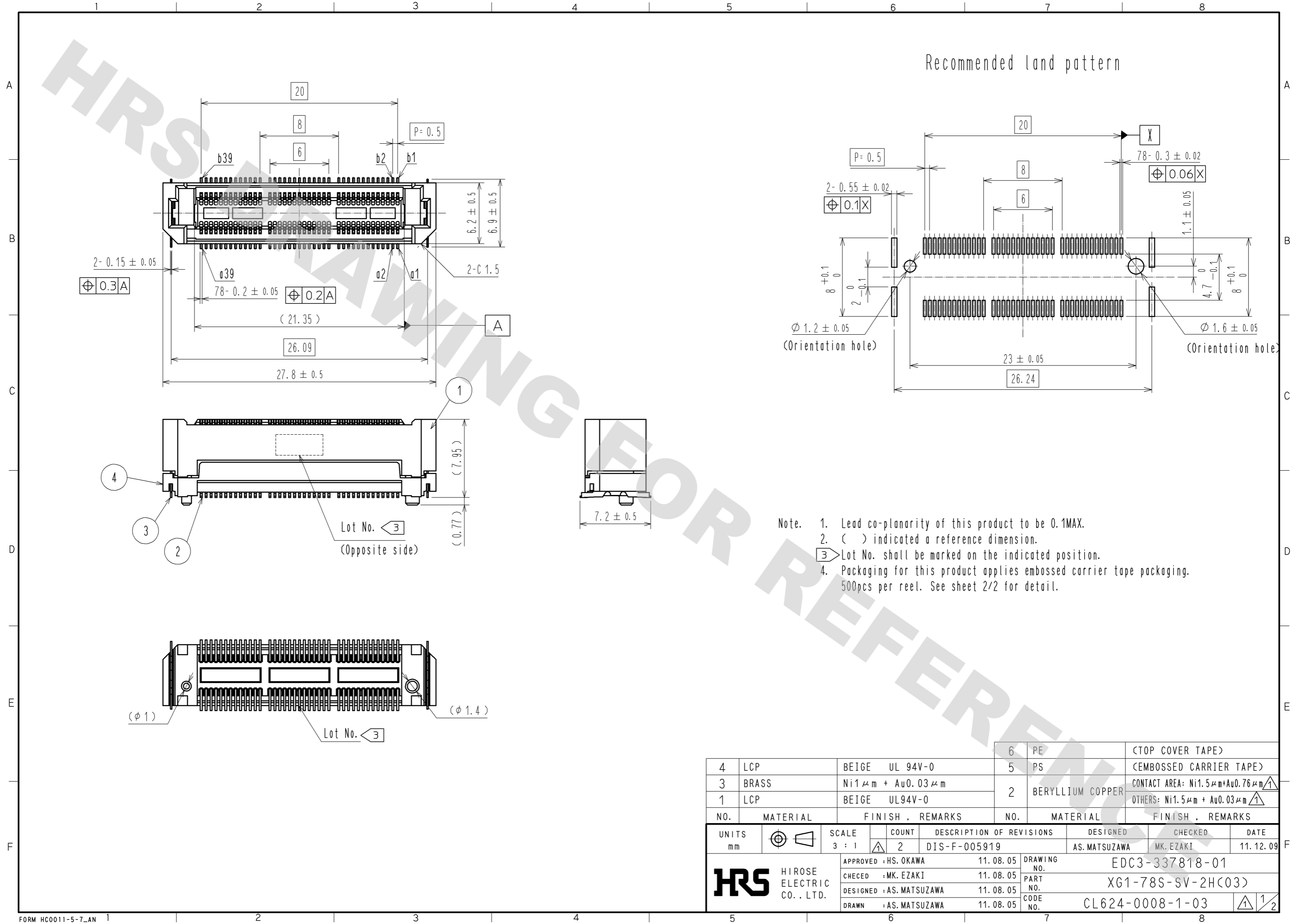


DRAWING FOR REFERENCE: This is subject to change without notice
08/11/2012



- Note.
1. Lead co-planarity of this product to be 0.1MAX.
 2. () indicated a reference dimension.
 - 3 Lot No. shall be marked on the indicated position.
 4. Packaging for this product applies embossed carrier tape packaging. 500pcs per reel. See sheet 2/2 for detail.

4	LCP	BEIGE UL 94V-0	6	PE	(TOP COVER TAPE)				
3	BRASS	Ni1 μm + Au0.03 μm	5	PS	(EMBOSSED CARRIER TAPE)				
1	LCP	BEIGE UL94V-0	2	BERYLLIUM COPPER	CONTACT AREA: Ni1.5 μm+Au0.76 μm OTHERS: Ni1.5 μm + Au0.03 μm				
NO.	MATERIAL	FINISH . REMARKS	NO.	MATERIAL	FINISH . REMARKS				
UNITS	mm	SCALE	3 : 1	COUNT	2	DESCRIPTION OF REVISIONS	DESIGNED	CHECKED	DATE
						DIS-F-005919	AS. MATSUZAWA	MK. EZAKI	11. 12. 09
APPROVED : HS. OKAWA		11. 08. 05		DRAWING NO.		EDC3-337818-01			
CHECKED : MK. EZAKI		11. 08. 05		PART NO.		XG1-78S-SV-2H(C03)			
DESIGNED : AS. MATSUZAWA		11. 08. 05		CODE NO.		CL624-0008-1-03			
DRAWN : AS. MATSUZAWA		11. 08. 05							

DRAWING FOR REFERENCE: This is subject to change without notice
08/11/2012

HRS

DRAWING FOR REFERENCE

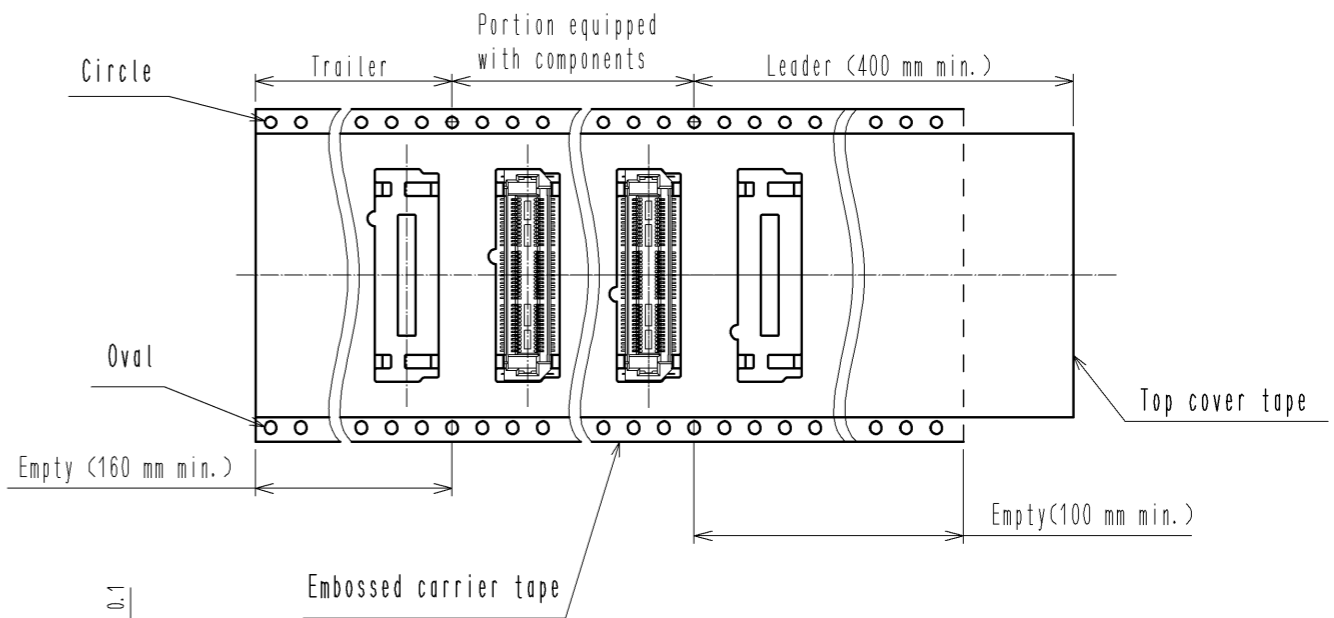


Fig. 3 (Free)

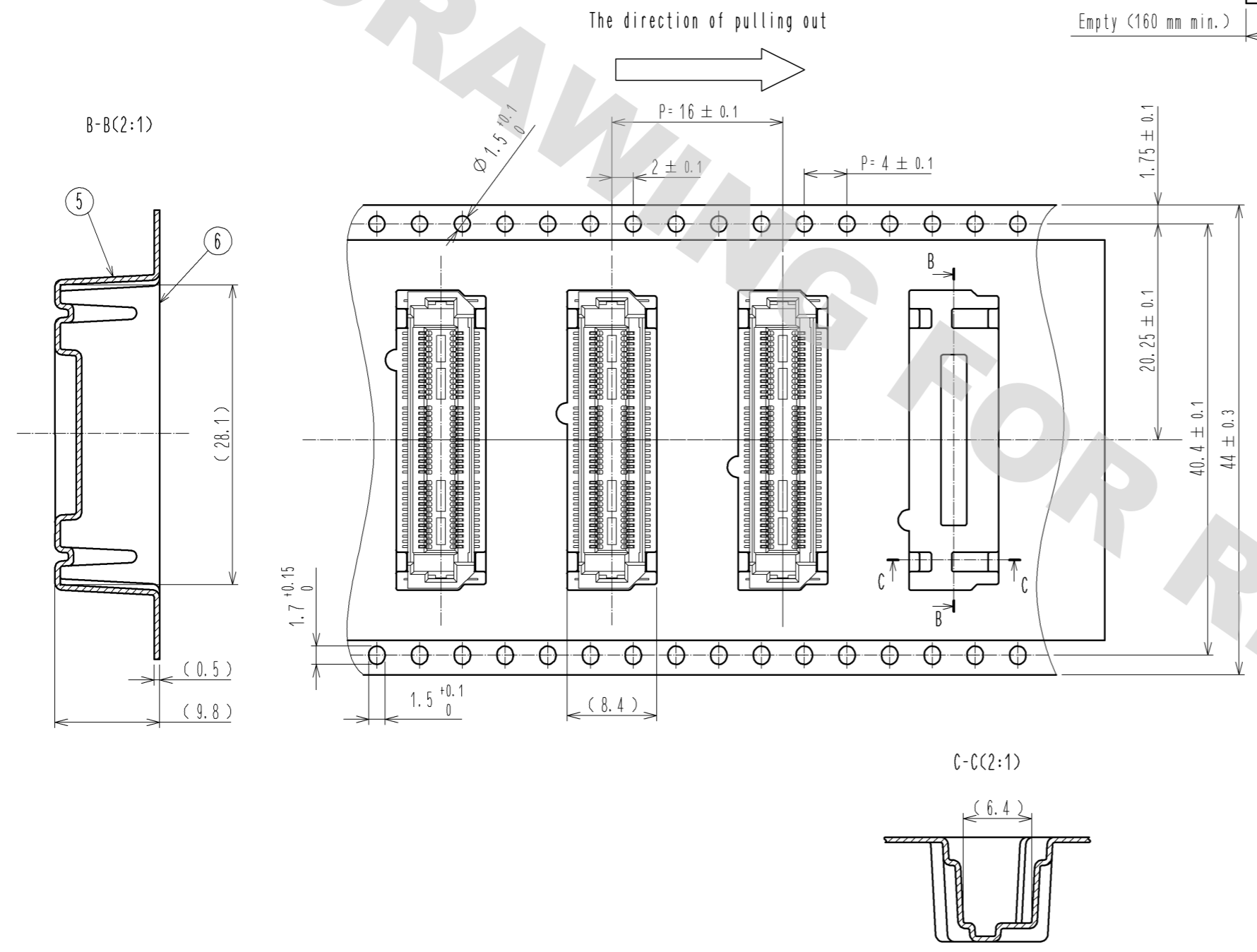


Fig. 2 Drawing for packing (2:1)

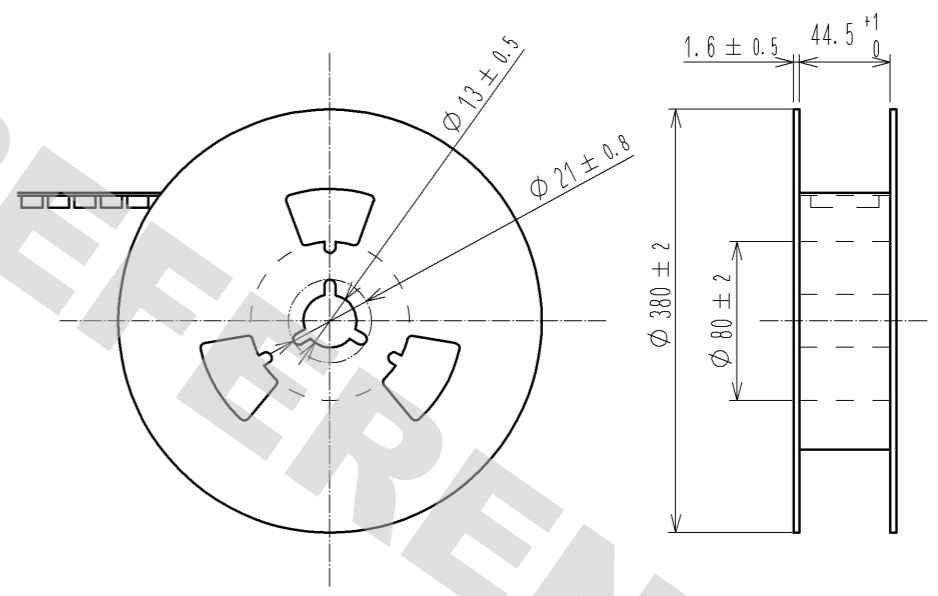


Fig. 4 Detail of reel (Free)

HRS	DRAWING NO.	EDC3-337818-01	
	PART NO.	XG1-78S-SV-2H<03>	
	CODE NO.	CL624-0008-1-03	

Mouser Electronics

Authorized Distributor

Click to View Pricing, Inventory, Delivery & Lifecycle Information:

[Hirose Electric:](#)

[XG1-78S-SV-2H\(03\)](#)