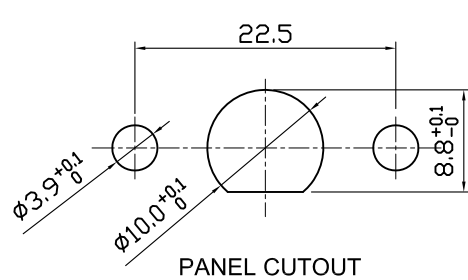
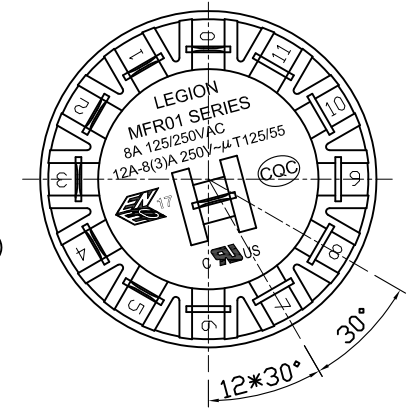
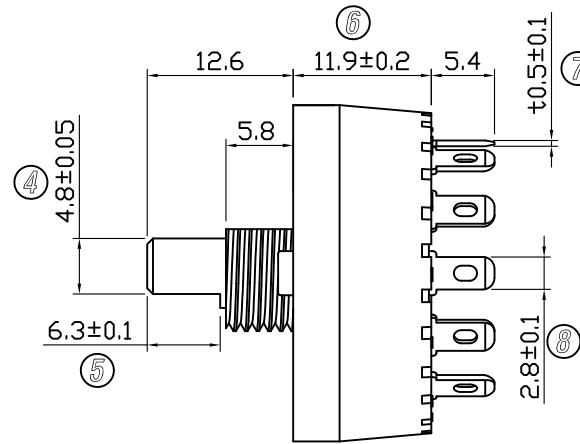
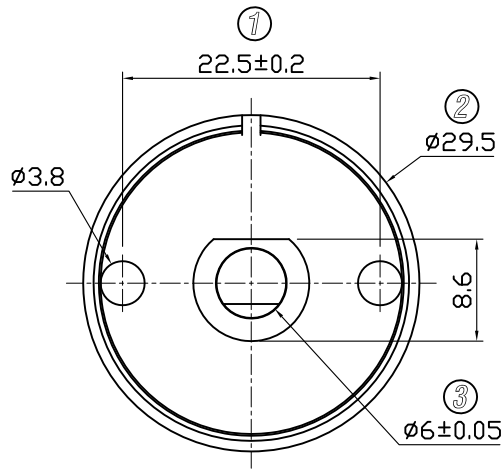
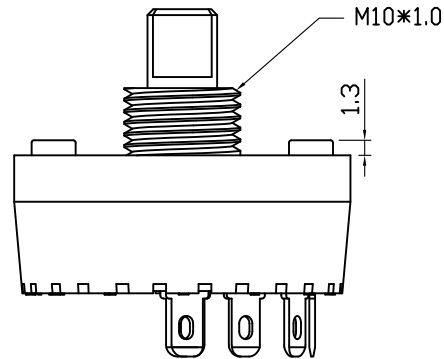


CIRCUIT DESCRIPTION



PANEL CUTOUT



1. 额定值 RATING: 8A 125/250VAC(UL, C-UL)  
12A-8(3)A 250V~μT125/55 (ENEC-17, CQC, CB)
2. 功能 FUNCTIONAL: 见电路图 SEE CIRCUIT DESCRIPTION
3. 接触电阻 CONTACT RESISTANCE: <50mΩ
4. 绝缘电阻 INSULATION RESISTANCE: >100MΩ (500VDC BETWEEN OPEN CONTACTS)
5. 耐电压 DIELECTRIC STRENGTH: >1500VAC 0.5mA 1 MINUTE
6. "○"表示关键尺寸 DENOTES CRITICAL DIMENSIONS

5	→	10	→	DIMENSIONAL TOLERANCES		APPROVED	CHECKED	DESIGN	DRAWN	ALL SIZE ARE IN	MM		DRAWING NO.	REV.
4	→	9	→	RANGE	TOLERANCE				LMC	SCALE	NO			
3	→	8	→	X	±0.30				2019.04.03	MAT'L	***			
2	→	7	→	X.X	±0.20					MATERIAL NO.				
1	→	6	→	X.XX	±0.10									
NO	DESCRIPTION	NO	DESCRIPTION	ANGLES	±1'	LEGION ELECTRONIC & HARDWARE CO., LTD.				MFR01-A4F05L8BA-R	WIF119020	A0		