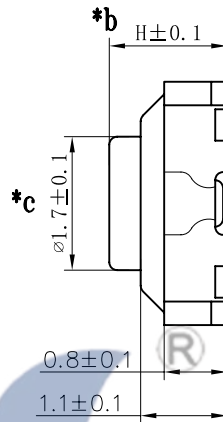
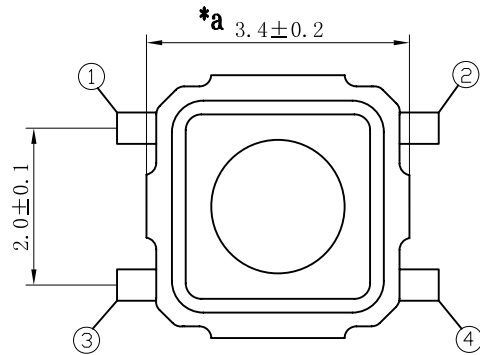
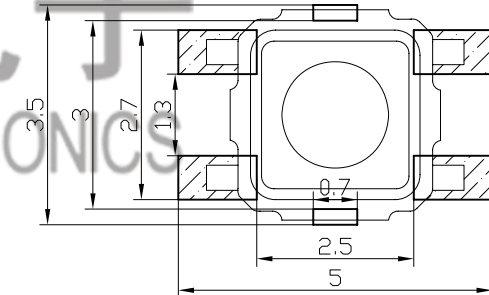
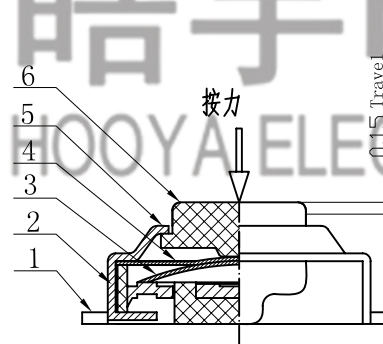
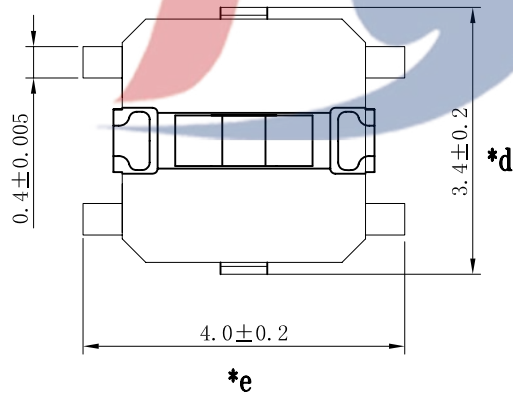


电路图



高度
H=1.5mm
H=1.6mm
H=1.7mm
H=2.0mm
H=2.5mm



PCB 板焊尺寸

电话 : 0769-82320511-867

					TOLERANCE UNLESS SPECIFIED								
					UP TO 5mm: ±0.1	ANGULAR	1						
					ABOVE 5mm: ±0.2	±1°	NO	DATE	REVISIONS		BY	APPD	
6	STEM	LCP	1	WHITE/BLACK	TITLE: TACT SWITCH			UNIT : MM	ROHS COMPLIANT	DWN			
5	COVER	SUS	1		MODEL: TS-1177-E			SCALE: 1:1	CHK'D				
4	WATERPROOF MEMBRANE	PI	1	YELLOW	HAOYU(HONGKONG)LIMITED 皓宇(香港)有限公司			APPD					
3	CONTACT	SUS	1	Ag-Plated				PRO.AGL:	⊕	REV :A0			
2	CASE	LCP	1	BLACK									
1	TERMINAL	PBS	1	Ag-Plated									
NO.	PART NAME	MATERIAL	QTY	FINISHING									