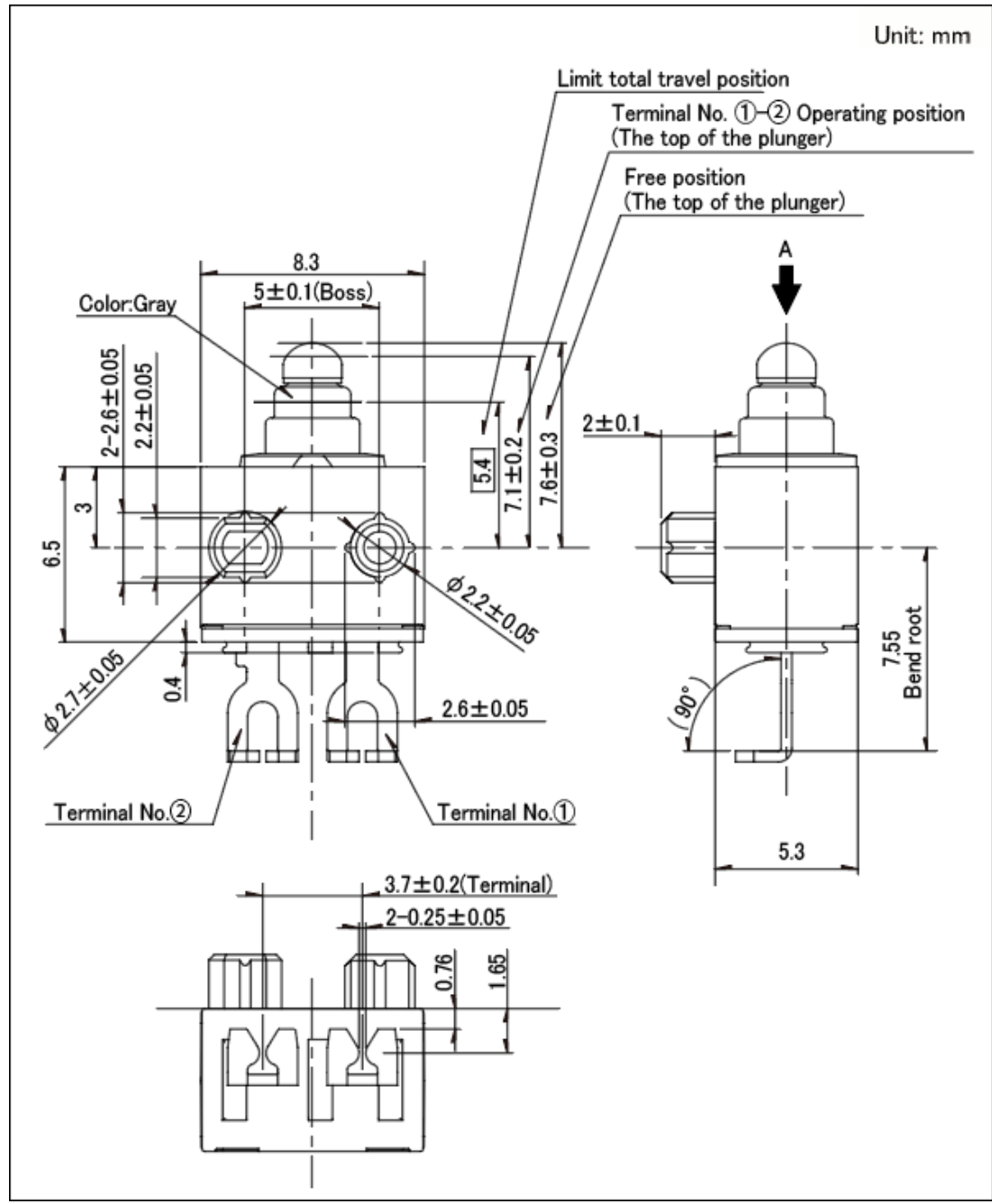


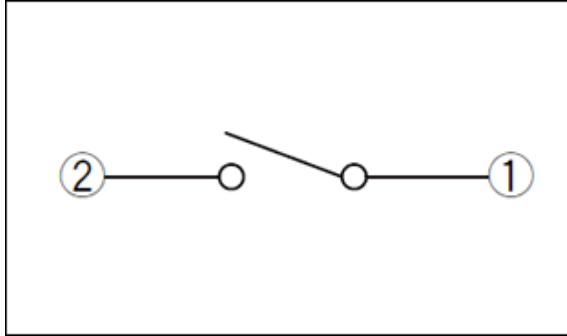
Water-proof Type SPVQ8 Series

Poles		1
Positions		1
Terminal type		Press fit
Circuit		Normal Open
Operating force		1±0.5N
Main body form		Boss - single side
Operating temperature range		-40°C to +85°C
Rating (max.)/(min.) (Resistive load)		0.1A 12V DC/50μA 5V DC
Electrical performance	Contact resistance (Initial/After operating life)	500mΩ max./1Ω max.
	Insulation resistance	100MΩ min. 500V DC
	Voltage proof	500V AC for 1 minute
Mechanical performance	Terminal strength	3N for 1 minute
	Actuator strength	20N
Durability	Operating life without load	300,000 cycles 1Ω max.
	Operating life with load Rating (max.) (Resistive load)	300,000 cycles 1Ω max.
Environmental performance	Cold	-40°C 500h
	Dry heat	85°C 500h
	Damp heat	60°C, 90 to 95%RH 500h
Minimum order unit	Japan	1,755

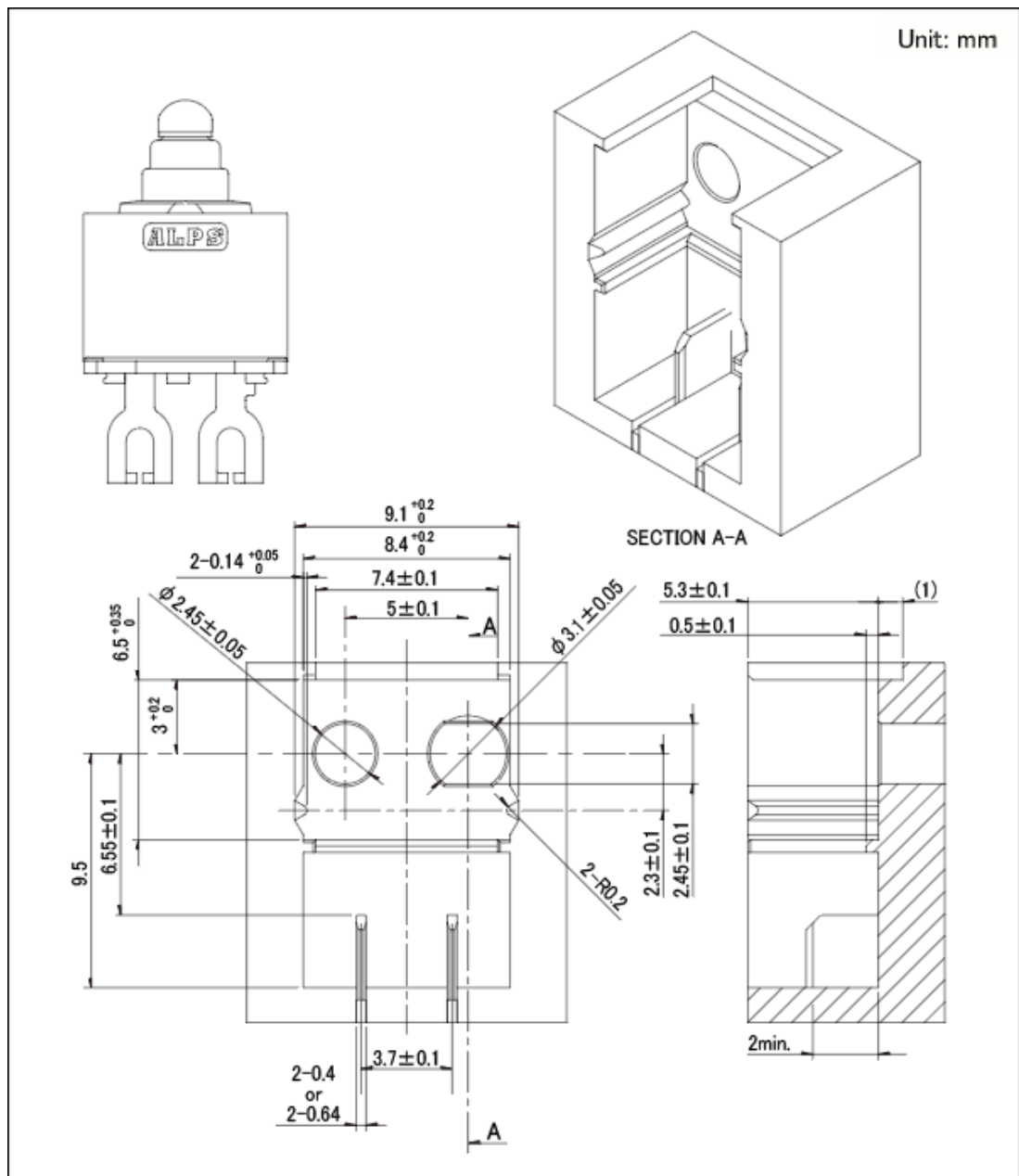
Dimensions



Circuit Diagram



Recommended Unit Terminal Shape for Press-Fit Terminals (Normally Open)



Packing Specifications

Tray

Number of packages (pcs.)	1 case / Japan	1,755
	1 case / export	7,020

Notes are common to this series/models.

1. This site catalog shows only outline specifications. When using the products, please obtain formal specifications for supply.
2. Unless specified, the length of the lead wire is 250mm. Color is either red or black. For length modification, please contact us.
3. Please specify circuits (N.O. or N.C.) for wired (side) types. Unless specified, the circuit will apply N.O.
4. This unit cannot be used in water (IP67 rating, except for terminal).
5. Please place purchase orders per minimum order unit (integer).
6. This products can be used in vehicles.
Although these products are designed to perform over a wide operating temperature range, please ensure that you receive and read the formal delivery specifications before use.