

RAFIX 16 F - Keylock switch, square collar, latching

1.30.096.151/0000

Other lock variants available on request.



Included: 2 keys on ring.

General information

Form of lens	flat lens
Color of lens	opaque black
Form of collar	square

Dimensions

Collar dimensions	24.9 x 24.9 mm
Overall height	24.10 mm
Mounting depth with contact block	50 mm
Key grid	25 x 25 mm
Mounting hole	23.1 x 23.1 mm

Mechanical design

Mounting	ring nut
Contact function	latching
Illumination	no
Lock	Micromec
Wafers	5
Lock type	001
Number of locking positions	500
Main key	on request
Rotating angle	1 x 90°, form V
Key removal position	0+1

Mechanical characteristics

Torque max.	1.3 Nm
-------------	--------

Electrical characteristics

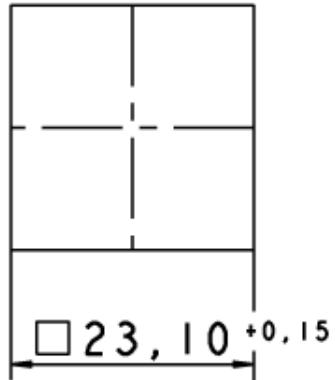
Protection class	II
------------------	----

Other specifications

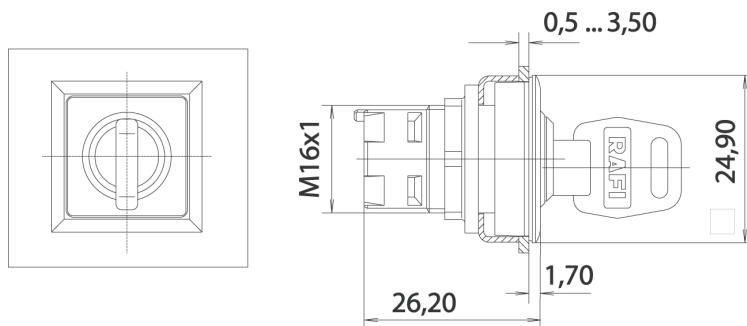
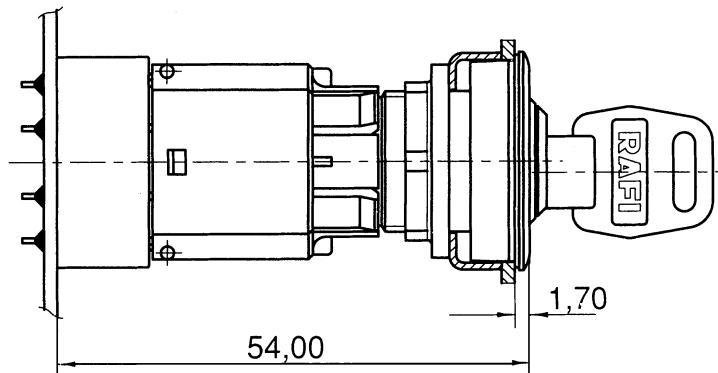
Operating life (operations)	65.000 cycle
Degree of protection from front side	IP65 (DIN EN 60529)
Operation temperature min.	-25 °C
Ambient temp. operating max. without lamp / LED	+70 °C
Ambient temp. operating max. with lamp /LED	- °C
Storage temperature min.	-40 °C

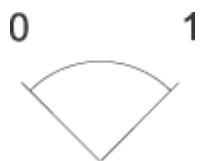
Storage temperature max.	+85 °C
Environmental resistance	acc. to IEC 60068-2-14, -30, -33 and -78
Ambient temp. operating max.	+70 °C
ESD-strength lock / contact	15 kV
ESD-strength key/ front panel	4 kV
ROHS compliant	yes
REACH compliant	yes

Panel cut-out

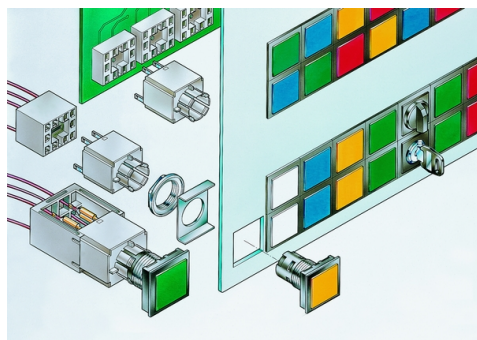
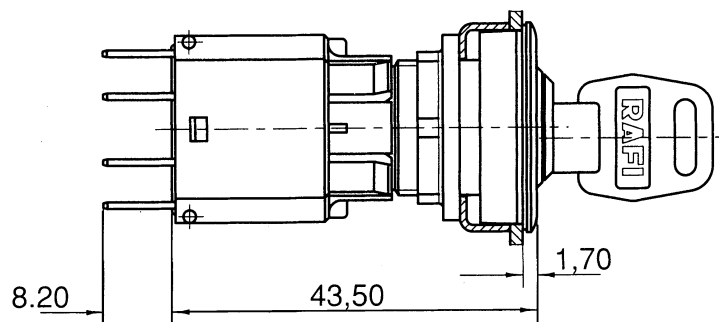


with PCB plug-in socket





operating element and contact block



Mouser Electronics

Authorized Distributor

Click to View Pricing, Inventory, Delivery & Lifecycle Information:

[RAFI:](#)

[1.30.096.151/0000](#)